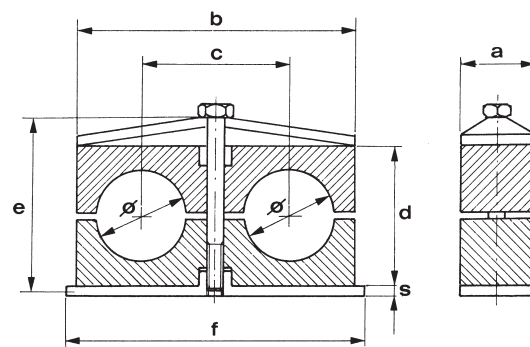


## Collari doppi in polipropilene, poliammide autoestinguente o gomma

## Double clamps in polypropylene, self-extinguishing polyamide or rubber



gruppo - group	diametro tubo pipe diameter		tipo di collare clamp type			dimensioni in mm dimension in mm						pezzi per confezione box quantity	
	Ø mm	pollici / inches G Ø O.D.	AD polipropilene polypropylene	MD poliammide self-extinguishing	RD gomma rubber	a	b	c	d	f	s		e
1	6-6		AD <sub>1</sub> 06-06	MD <sub>1</sub> 06-06	RD <sub>1</sub> 06-06	30	37	20	25	37	3	MBx35	50
	6,4-6,4	1/4 - 1/4"	AD <sub>1</sub> 6,4-6,4	MD <sub>1</sub> 6,4-6,4	RD <sub>1</sub> 6,4-6,4								
	8-8	5/16 - 5/16"	AD <sub>1</sub> 08-08	MD <sub>1</sub> 08-08	RD <sub>1</sub> 08-08								
	9,5-9,5	3/8 - 3/8"	AD <sub>1</sub> 9,5-9,5	MD <sub>1</sub> 9,5-9,5	RD <sub>1</sub> 9,5-9,5								
	10-10	1/8 - 1/8"	AD <sub>1</sub> 10-10	MD <sub>1</sub> 10-10	RD <sub>1</sub> 10-10								
	12-12		AD <sub>1</sub> 12-12	MD <sub>1</sub> 12-12	RD <sub>1</sub> 12-12								
2	12,7	1/2 - 1/2"	AD <sub>2</sub> 12,7-12,7	MD <sub>2</sub> 12,7-12,7	RD <sub>2</sub> 12,7-12,7	30	53	29	26	55	5	MBx35	50
	13,5	1/4 - 1/4"	AD <sub>2</sub> 1/4 - 1/4"	MD <sub>2</sub> 1/4 - 1/4"	RD <sub>2</sub> 1/4 - 1/4"								
	14-14		AD <sub>2</sub> 14-14	MD <sub>2</sub> 14-14	RD <sub>2</sub> 14-14								
	15-15		AD <sub>2</sub> 15-15	MD <sub>2</sub> 15-15	RD <sub>2</sub> 15-15								
	16-16	5/8 - 5/8"	AD <sub>2</sub> 16-16	MD <sub>2</sub> 16-16	RD <sub>2</sub> 16-16								
	17,2-17,2	3/8 - 3/8"	AD <sub>2</sub> 3/8 - 3/8"	MD <sub>2</sub> 3/8 - 3/8"	RD <sub>2</sub> 3/8 - 3/8"								
18-18		AD <sub>2</sub> 18-18	MD <sub>2</sub> 18-18	RD <sub>2</sub> 18-18									
3	19-19	3/4 - 3/4"	AD <sub>3</sub> 19-19	MD <sub>3</sub> 19-19	RD <sub>3</sub> 19-19	30	67	36	37	70	5	MBx45	50
	20-20		AD <sub>3</sub> 20-20	MD <sub>3</sub> 20-20	RD <sub>3</sub> 20-20								
	21,3-21,3	1/2 - 1/2"	AD <sub>3</sub> 1/2 - 1/2"	MD <sub>3</sub> 1/2 - 1/2"	RD <sub>3</sub> 1/2 - 1/2"								
	22-22	7/8 - 7/8"	AD <sub>3</sub> 22-22	MD <sub>3</sub> 22-22	RD <sub>3</sub> 22-22								
	25-25		AD <sub>3</sub> 25-25	MD <sub>3</sub> 25-25	RD <sub>3</sub> 25-25								
25,4-25,4	1 - 1"	AD <sub>3</sub> 25,4-25,4	MD <sub>3</sub> 25,4-25,4	RD <sub>3</sub> 25,4-25,4									
4	26,9	3/4 - 3/4"	AD <sub>4</sub> 3/4 - 3/4"	MD <sub>4</sub> 3/4 - 3/4"	RD <sub>4</sub> 3/4 - 3/4"	30	82	45	42	85	5	MBx50	50
	28-28		AD <sub>4</sub> 28-28	MD <sub>4</sub> 28-28	RD <sub>4</sub> 28-28								
	30-30		AD <sub>4</sub> 30-30	MD <sub>4</sub> 30-30	RD <sub>4</sub> 30-30								
5	32-32	1 1/4 - 1 1/4"	AD <sub>5</sub> 32-32	MD <sub>5</sub> 32-32	RD <sub>5</sub> 32-32	30	106	56	54	110	5	MBx60	25
	33,7-33,7	1 - 1"	AD <sub>5</sub> 1 - 1"	MD <sub>5</sub> 1 - 1"	RD <sub>5</sub> 1 - 1"								
	35-35		AD <sub>5</sub> 35-35	MD <sub>5</sub> 35-35	RD <sub>5</sub> 35-35								
	38-38	1 1/2 - 1 1/2"	AD <sub>5</sub> 38-38	MD <sub>5</sub> 38-38	RD <sub>5</sub> 38-38								
	40-40		AD <sub>5</sub> 40-40	MD <sub>5</sub> 40-40	RD <sub>5</sub> 40-40								
	42-42		AD <sub>5</sub> 42-42	MD <sub>5</sub> 42-42	RD <sub>5</sub> 42-42								
42,4-42,4	1 1/4 - 1 1/4"	AD <sub>5</sub> 1 1/4 - 1 1/4"	MD <sub>5</sub> 1 1/4 - 1 1/4"	RD <sub>5</sub> 1 1/4 - 1 1/4"									