



PIPE CLAMPS **TWIN SERIES**

DIN 3015, PART 3

PIPE CLAMPS
TWIN SERIES

55

CLAMP BODY STANDARD MATERIALS



Polypropylene
Colour **Blue**
Code **PP**

**OTHER COLOURS
AVAILABLE ON DEMAND!**



Polyamide
Colour **Black**
Code **PA**



Rubber Elastomer
Colour **Black**
Code **GM**



Self-extinguishing Polypropylene
Colour **White**
Code **AU**



Aluminium
Colour **Natural**
Code **AL**

DIFFERENT DAMETERS AND MATERIALS AVAILABLE ON REQUEST.

ON REQUEST, ANY CLAMP BODY CAN BE SUPPLIED
WITH TWO DIFFERENT DIAMETERS.

Clamp body internal surface:
smooth (AL CF, CF1 L to CF5 L)
knurled (CF1 to CF5)

For Material Characteristics, see Technical Appendix (page 147).

COMPONENTS AND ACCESSORIES STANDARD MATERIALS

Carbon Steel S 235 JR with finishing surface in white zinc-coated
Fe Zn c8 II.

Untreated are available on request.

Stainless Steel Inox 316L (X2 CrNiMo 17-12-2) 1.4404
marked with X identification code.

The **BB** track is treated with zinc-plating SENDZIMIR.
The **BBP** track is treated with zinc-coating Fe Zn c8 II.

Metric thread: code **M**
UNC thread: code **UNC**.

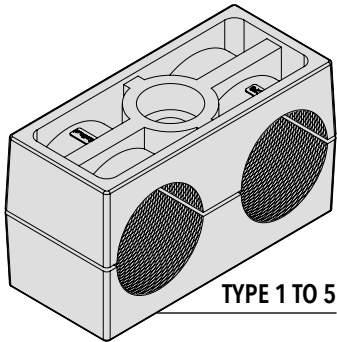
For Material Characteristics, see Technical Appendix (page 147).





CF CLAMP BODY

TWO CLAMP HALVES

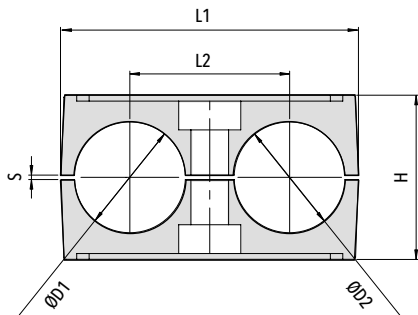


TYPE 1 TO 5

DIN 3015, PART 3
 PIPE CLAMPS
 TWIN SERIES

56

Code CF (Material PP - PA - GM - AU)



ORDER CODE

CLAMP BODY CODE	OUTSIDE DIAMETER (mm)	MATERIAL
-----------------	-----------------------	----------

EXAMPLE

Clamp body type: 3
 Material: PP
 Outside diameter: 24 mm
 Order code: **CF3 - 24 - PP**

Code	O.D. ØD1 / ØD2		L1	L2	H	S	Width
	mm	nominal bore pipe in					
CF1	6						
	6,4	1/4"					
	8	5/16"					
	9,5	3/8"	36 (1.42")	20 (.79")	27 (1.06")	0,6 (.02")	30 (1.18")
	10	1/8"					
	12						
CF2	12,7	1/2"					
	13,5	1/4"					
	14		53 (2.09")	29 (1.14")	27 (1.06")	0,8 (.03")	30 (1.18")
	15						
	16	5/8"					
	17,2	3/8"					
	18						
	19	3/4"					
	20						
	21,3	1/2"					
CF3	22	7/8"	67 (2.64")	36 (1.42")	37 (1.46")	1 (.04")	30 (1.18")
	23						
	24						
	25						
	25,4	1"					
	CF4	26					
26,9		3/4"	81 (3.19")	45 (1.77")	42 (1.65")	1 (.04")	30 (1.18")
28							
30							
CF5	32	1.1/4"					
	33,7	1"					
	35		106 (4.17")	56 (2.20")	53 (2.09")	1,2 (.05")	30 (1.18")
	38	1.1/2"					
	40						
	42,4	1.1/4"					

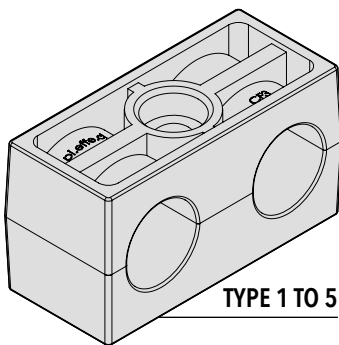


CF L CLAMP BODY

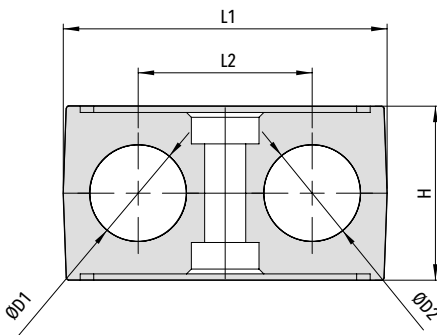
**CLAMPS SMOOTH INSIDE
 SURFACE WITHOUT
 TENSION CLEARANCE**

TWO CLAMP HALVES

**SUITABLE FOR THE INSTALLATION
 OF HOSES OR CABLES**



Code CF L (Material PP - PA - GM - AU)



Code	O.D. ØD1 / ØD2		L1	L2	H	Width
	mm	nominal bore pipe in				
CF1 L	6					
	6,4	1/4"				
	8	5/16"				
	9,5	3/8"	36 (1.42")	20 (.79")	26,5 (1.04")	30 (1.18")
	10	1/8"				
CF2 L	12					
	12,7	1/2"				
	13,5	1/4"				
	14		53 (2.09")	29 (1.14")	26,2 (1.03")	30 (1.18")
	15					
	16	5/8"				
	17,2	3/8"				
	18					
	19	3/4"				
	20					
CF3 L	21,3	1/2"				
	22	7/8"	67 (2.64")	36 (1.42")	36 (1.42")	30 (1.18")
	23					
	24					
	25					
CF4 L	25,4	1"				
	26					
	26,9	3/4"	81 (3.19")	45 (1.77")	41 (1.60")	30 (1.18")
	28					
	30					
CF5 L	32	1.1/4"				
	33,7	1"				
	35		106 (4.17")	56 (2.20")	51,8 (2.04")	30 (1.18")
	38	1.1/2"				
	40					
	42,4	1.1/4"				

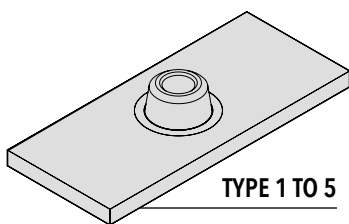
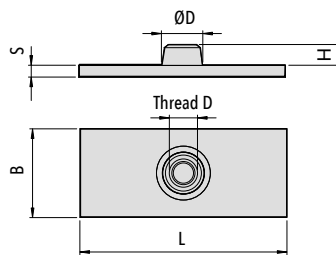
DIN 3015, PART 3
**PIPE CLAMPS
 TWIN SERIES**

ORDER EXAMPLE

CF2 L-15 PP



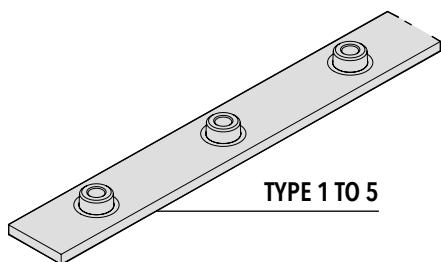
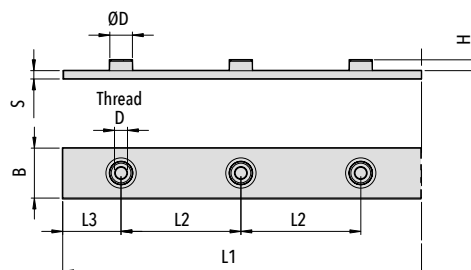
P CF SINGLE WELD PLATE



Code	L	B	S	H	ØD	Thread D
P CF1 XP CF1	37 (1.46")	30 (1.18")	3 (.12")	6,5 (.26")	12 (.47")	M6 (1/4-20 UNC)
P CF2 XP CF2	55 (2.17")	30 (1.18")	5 (.20")	6 (.24")	14 (.55")	M8 (5/16-18 UNC)
P CF3 XP CF3	70 (2.76")	30 (1.18")	5 (.20")	6 (.24")	14 (.55")	M8 (5/16-18 UNC)
P CF4 XP CF4	85 (3.35")	30 (1.18")	5 (.20")	6 (.24")	14 (.55")	M8 (5/16-18 UNC)
P CF5 XP CF5	110 (4.33")	30 (1.18")	5 (.20")	6 (.24")	14 (.55")	M8 (5/16-18 UNC)

Code **P CF** (Carbon Steel S 235 JR)
Code **XP CF** (Stainless Steel AISI 316L).

PM CF MULTIPLE WELD PLATE

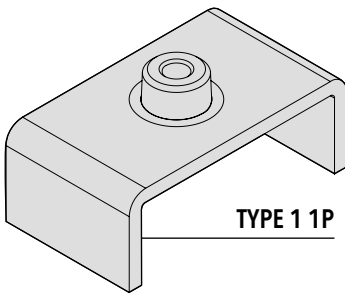
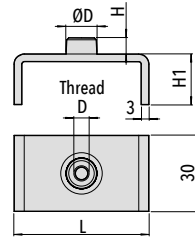


Code	Nr. of Clamps	L1	L2	L3	B	S	H	ØD	Thread D
PM CF1 XPM CF1	5	200 (7.87")	40 (1.57")	20 (.79")	30 (1.18")	3 (.12")	6,5 (.26")	12 (.47")	M6 (1/4-20 UNC)
PM CF2 XPM CF2	5	288 (11.34")	58 (2.28")	28 (1.10")	30 (1.18")	5 (.20")	6 (.24")	14 (.55")	M8 (5/16-18 UNC)
PM CF3 XPM CF3	5	358 (14.09")	72 (2.83")	35 (1.37")	30 (1.18")	5 (.20")	6 (.24")	14 (.55")	M8 (5/16-18 UNC)
PM CF4 XPM CF4	5	444 (17.48")	90 (3.54")	42 (1.65")	30 (1.18")	5 (.20")	6 (.24")	14 (.55")	M8 (5/16-18 UNC)
PM CF5 XPM CF5	5	558 (21.97")	112 (4.41")	55 (2.16")	30 (1.18")	5 (.20")	6 (.24")	14 (.55")	M8 (5/16-18 UNC)

Code **PM CF** (Carbon Steel S 235 JR)
Code **XPM CF** (Stainless Steel AISI 316L).



PM CF 1P SINGLE SPACED PLATE



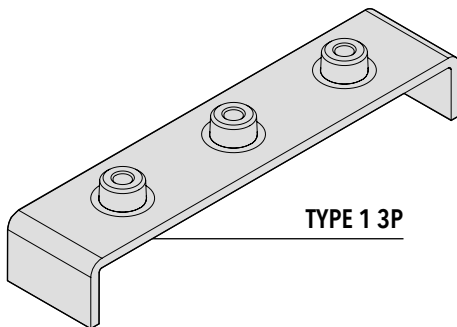
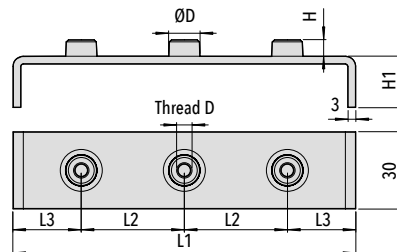
Code **PM CF 1P** (Carbon Steel S 235 JR)
Code **XPM CF 1P** (Stainless Steel AISI 316L).

Code	L1	H	H1	ØD	Thread D
PM CF1 1P XPM CF1 1P	53 (2.08")	6,5 (.26")	20 (.79")	12 (.47")	M6 (1/4-20 UNC)

DIN 3015, PART 3
PIPE CLAMPS
TWIN SERIES

PM CF 3P MULTIPLE SPACED PLATE

FOR N.3 CLAMPS



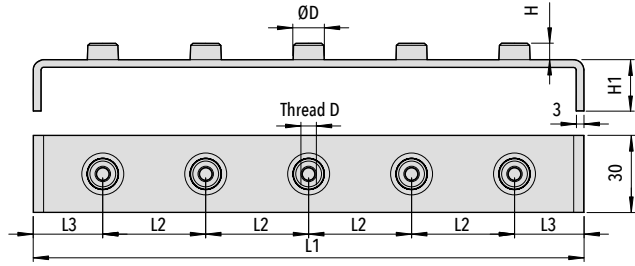
Code **PM CF 3P** (Carbon Steel S 235 JR)
Code **XPM CF 3P** (Stainless Steel AISI 316L).

Code	L1	L2	L3	H	H1	ØD	Thread D
PM CF1 3P XPM CF1 3P	133 (5.23")	40 (1.57")	26,5 (1.04")	6,5 (.26")	20 (.79")	12 (.47")	M6 (1/4-20 UNC)

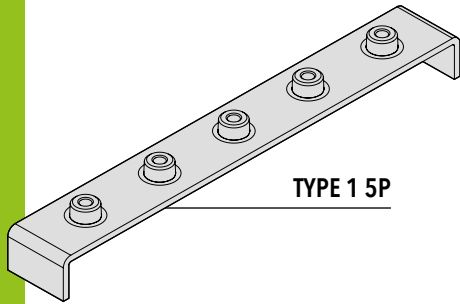


PM CF 5P MULTIPLE SPACED PLATE

FOR N.5 CLAMPS



Code	L1	L2	L3	H	H1	ØD	Thread D
PM CF1 5P XPM CF1 5P	213 (8.38")	40 (1.57")	26,5 (1.04")	6,5 (.26")	20 (.79")	12 (.47")	M6 (1/4-20 UNC)



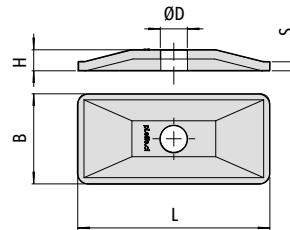
TYPE 1 5P

Code **PM CF 5P** (Carbon Steel S 235 JR)
Code **XPM CF 5P** (Stainless Steel AISI 316L).

DIN 3015, PART 3
PIPE CLAMPS
TWIN SERIES

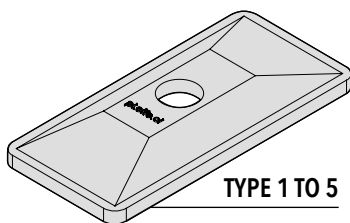
60

PS CF UPPER PLATE



Code	L	B	H	S	ØD
PS CF1 XPS CF1	34,5 (1.35")	30 (1.18")	7 (.28")	3 (.12")	7 (.28")
PS CF2 XPS CF2	52 (2.05")	30 (1.18")	7 (.28")	3 (.12")	9 (.35")
PS CF3 XPS CF3	64 (2.51")	30 (1.18")	7 (.28")	3 (.12")	9 (.35")
PS CF4 XPS CF4	79 (3.11")	30 (1.18")	7 (.28")	3 (.12")	9 (.35")
PS CF5 XPS CF5	102,5 (4.03")	30 (1.18")	7 (.28")	3 (.12")	9 (.35")

Code **PS CF** (Carbon Steel S 235 JR)
Code **XPS CF** (Stainless Steel AISI 316L).

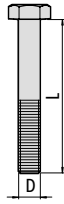
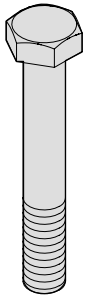


TYPE 1 TO 5



TE CF HEXAGON HEAD BOLT

ISO 4014 / 4017
 FOR USE WITH UPPER PLATE **PS CF**



Code	Thread (D x L)
------	-------------------

TE CF1 M6x35
XTE CF1 (1/4-20 UNCx1-3/8")

TE CF2 M8x35
XTE CF2 (5/16-18 UNCx1-3/8")

TE CF3 M8x45
XTE CF3 (5/16-18 UNCx1-3/4")

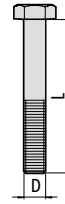
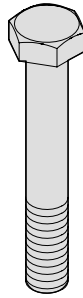
TE CF4 M8x50
XTE CF4 (5/16-18 UNCx2")

TE CF5 M8x60
XTE CF5 (5/16-18 UNCx2-1/2")

Code TE CF (Steel 8.8)
Code XTE CF (Stainless Steel A4)

TER CF HEXAGON HEAD BOLT

ISO 4014 / 4017
 FOR USE WITH FLAT WASHER **RP CF**



Code	Thread (D x L)
------	-------------------

TER CF1 M6x30
XTER CF1 (1/4-20 UNCx1-1/4")

TER CF2 M8x30
XTER CF2 (5/16-18 UNCx1-1/4")

TER CF3 M8x40
XTER CF3 (5/16-18 UNCx1-1/2")

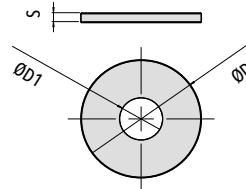
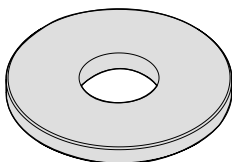
TER CF4 M8x45
XTER CF4 (5/16-18 UNCx1-7/8")

TER CF5 M8x55
XTER CF5 (5/16-18 UNCx2-3/16")

Code TER CF (Steel 8.8)
Code XTER CF (Stainless Steel A4)

RP CF FLAT WASHER

ISO 7089
 FOR USE WITH HEXAGON
 HEAD BOLT **TER CF**



Code	ØD	ØD1	S
------	----	-----	---

RP CF1 22 6,5 2
XRPCF1 (.86") (.26") (.08")

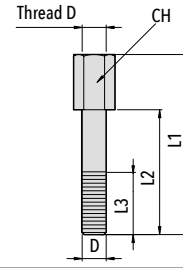
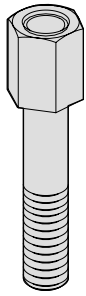
RP CF2-5 22 8,5 2
XRPCF2-5 (.86") (.33") (.08")

Code RP CF (Carbon Steel S 235 JR)
Code XRPCF (Stainless Steel A4)



VA CF HIGH HEXAGON HEAD BOLT

FOR STACKED CLAMPS



Code	Thread D	L1	L2	L3	CH
VA CF1 XVA CF1	M6 (1/4-20 UNC)	34 (1,33")	20 (.78")	14 (.55")	11 (.43")
VA CF2 XVA CF2	M8 (5/16-18 UNC)	33 (1,30")	20 (.78")	15 (.59")	12 (.47")
VA CF3 XVA CF3	M8 (5/16-18 UNC)	44 (1,73")	29 (1,14")	15 (.59")	12 (.47")
VA CF4 XVA CF4	M8 (5/16-18 UNC)	49 (1,92")	34 (1,33")	15 (.59")	12 (.47")
VA CF5 XVA CF5	M8 (5/16-18 UNC)	61 (2,4")	46 (1,81")	15 (.59")	12 (.47")

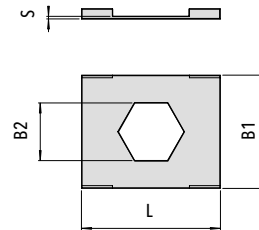
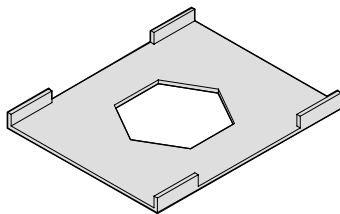
Code **VA CF** (Carbon Steel S 235 JR)
Code **XVA CF** (Stainless Steel AISI 316L)

DIN 3015, PART 3
PIPE CLAMPS
TWIN SERIES

62

PB CF LOCKING PLATE

FOR STACKED CLAMPS



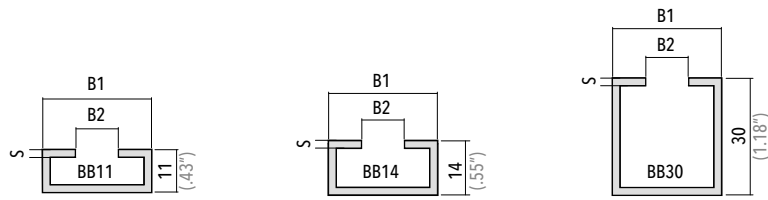
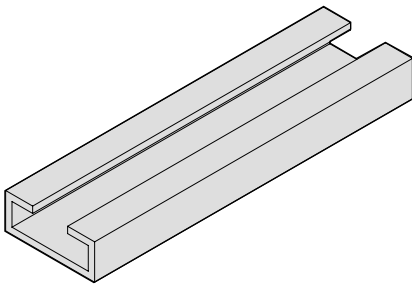
Code	L	B1	B2	S
PB CF1 XPB CF1	27 (1.06")	22 (.86")	11,2 (.44")	0,5 (.02")
PB CF2-5 XPB CF2-5	27 (1.06")	22 (.86")	12,2 (.48")	0,5 (.02")

Code **PB CF** (Carbon Steel S 235 JR)
Code **XPB CF** (Stainless Steel AISI 316L)



BB MOUNTING RAIL

AVAILABLE HEIGHTS 11 / 14 / 30 mm
 AVAILABLE LENGTH 2 m

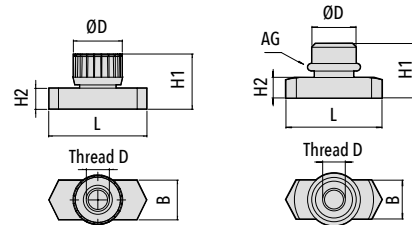


Code	B1	B2	S
BB XBB	28 (1.10")	11 (.43")	2 (.08")

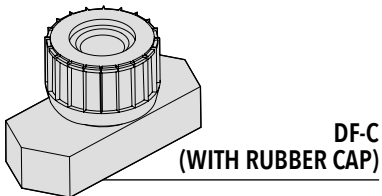
Code **BB** (Steel DX51D)
 Code **XBB** (Stainless Steel AISI 316L)

DIN 3015, PART 3
PIPE CLAMPS
TWIN SERIES

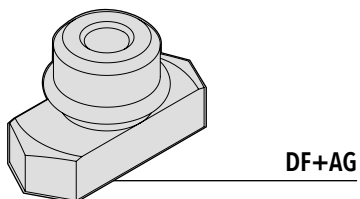
DF+AG / DF-C RAIL NUT WITH RUBBER RING



Code	Thread D	L	B	H1	H2	ØD	AG
------	----------	---	---	----	----	----	----



DF/DF-C XDF	M6 (1/4-20 UNC)	25,5 (1")	10,4 (.41")	14,5 (.57")	5,5 (.22")	11,8 (.46")	10x2,2 (.39"x.08")
------------------------------	--------------------	--------------	----------------	----------------	---------------	----------------	-----------------------



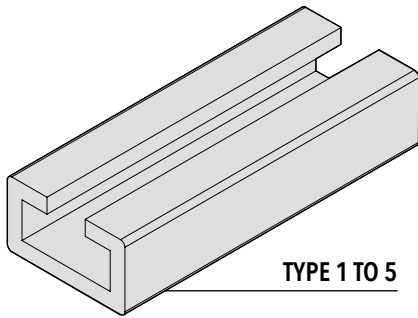
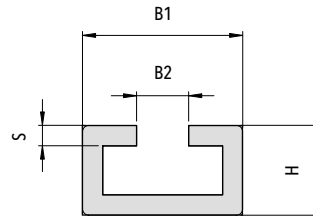
DF XDF	M8 (5/16-18 UNC)	25,5 (1")	10,4 (.41")	13,5 (.53")	5 (.20")	13,8 (.54")	10x2,2 (.39"x.08")
-------------------------	---------------------	--------------	----------------	----------------	-------------	----------------	-----------------------

Code **DF / DF-C** (Steel C20)
 Code **XDF** (Stainless Steel AISI 316L)



BB P MOUNTING HEAVY RAIL

AVAILABLE LENGTHS 1 m / 2 m



TYPE 1 TO 5

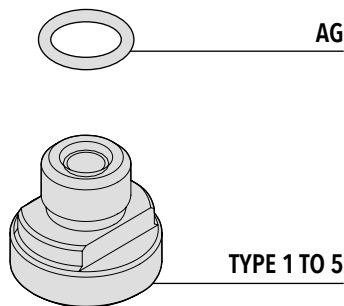
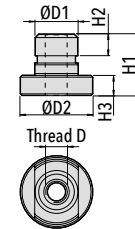
Code **BB P** (Carbon Steel S 235 JR)
Code **XBB P** (Stainless Steel AISI 316L)

Code	B1	B2	H	S
BB P XBB P	40 (1.57")	13 (.51")	22 (.86")	5 (.19")

64

DF PS+AG RAIL NUT WITH RUBBER RING

FOR MOUNTING HEAVY RAIL



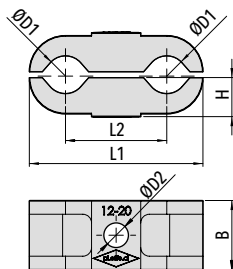
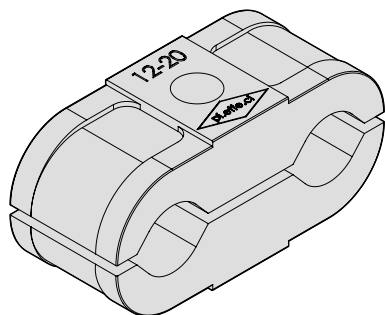
TYPE 1 TO 5

Code **DF PS** (Carbon Steel S 235 JR)
Code **XDF PS** (Stainless Steel AISI 316L)

Code	ØD1	ØD2	H1	H2	H3	Thread D	AG
DF1 PS XDF1 PS + AG	11,8 (.46")	20 (.79")	17 (.67")	6 (.24")	5,6 (.22")	M6 (1/4-20 UNC)	10x2,2 (.39"x.09")
DF2-5 PS XDF2-5 PS + AG	13,6 (.53")	20 (.79")	16,5 (.65")	5,2 (.20")	5,5 (.21")	M8 (5/16-18 UNC)	10x2,2 (.39"x.09")

AL CF CLAMP BODY

TWO CLAMP HALVES
(FOR PIPES AND HOSES)



PIPE CLAMPS **TWIN SERIES**
Order Codes and Dimensions (mm/in)



Code	Outside pipe diameter	L1	L2	B	ØD1	ØD2	H
AL CF 12-20	12-20 (.47-.79")	60 (2.36")	35 (1.38")	24 (.94")	12-20 (.47-.79")	8,5 (.33")	13,5 (.53")

ORDER EXAMPLE

AL CF 12-20

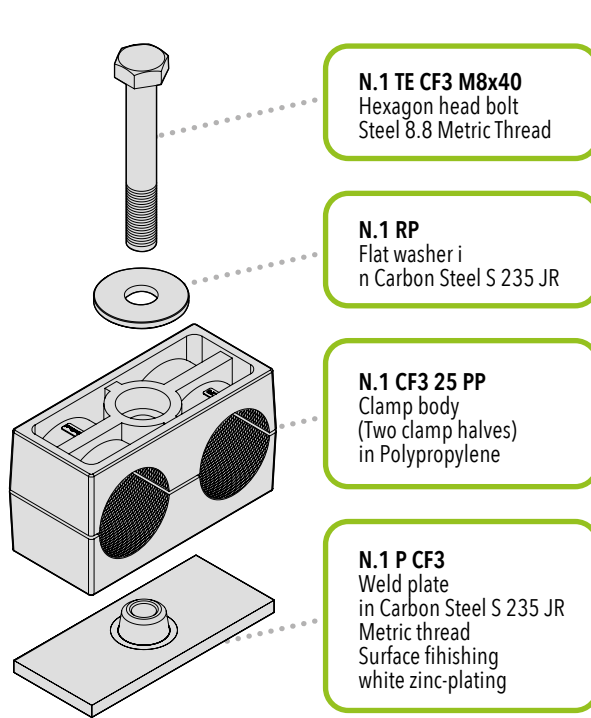
FOR USE WITH M8 SCREW
(length depending on application features)

Code AL CF (Material AL)

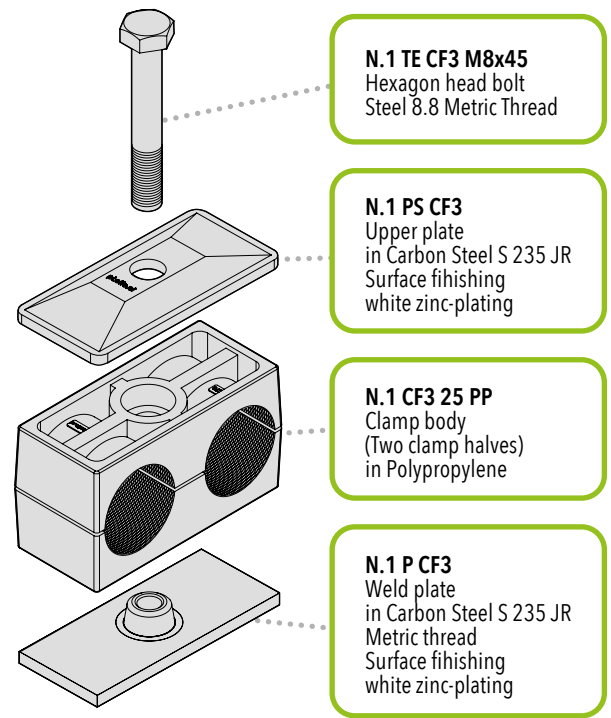
PIPE CLAMPS
TWIN SERIES

**MOUNTING EXAMPLE 01**

Mounting Example of complete clamp CF3 in Polypropylene for pipe with outside diameter of 25 mm with single weld plate and flat washer.

**MOUNTING EXAMPLE 02**

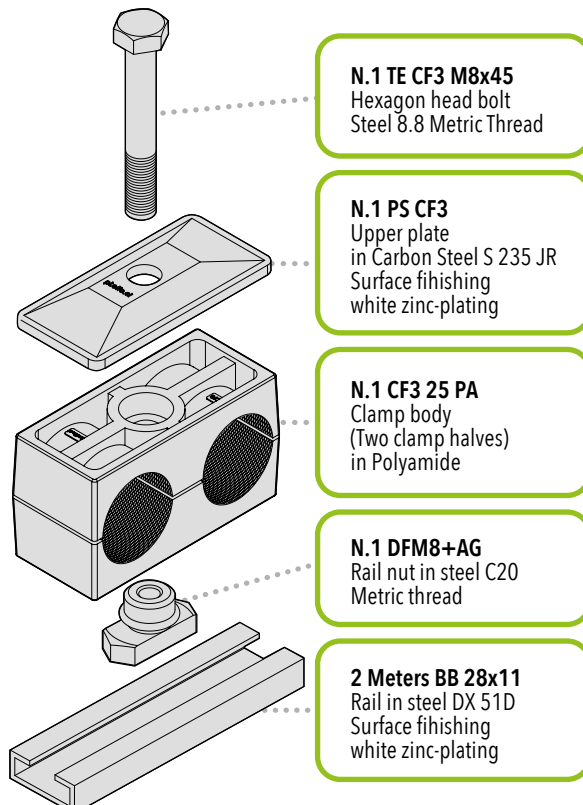
Mounting Example of complete clamp CF3 in Polypropylene for pipe with outside diameter of 25 mm with single weld plate and upper plate.



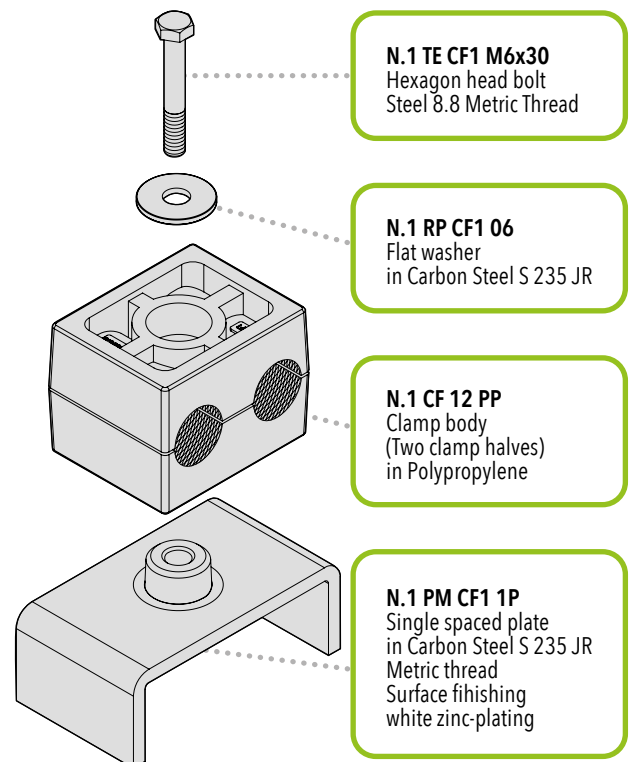
66

MOUNTING EXAMPLE 03

Mounting Example of complete stacked clamp CF3 in Polyamide for pipe with outside diameter of 25 mm, mounting rail nut.

**MOUNTING EXAMPLE 04**

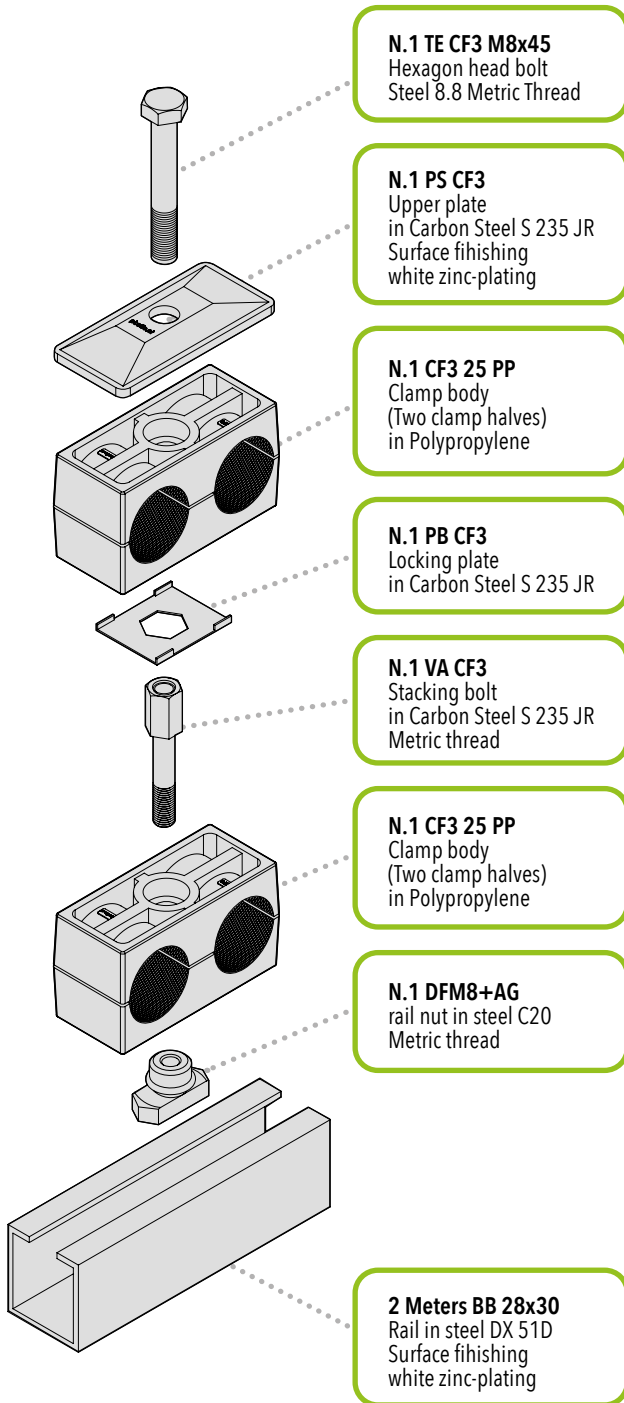
Mounting Example of complete clamp CF1 in Polypropylene for pipe with outside diameter of 12 mm, single spaced plate with upper plate.





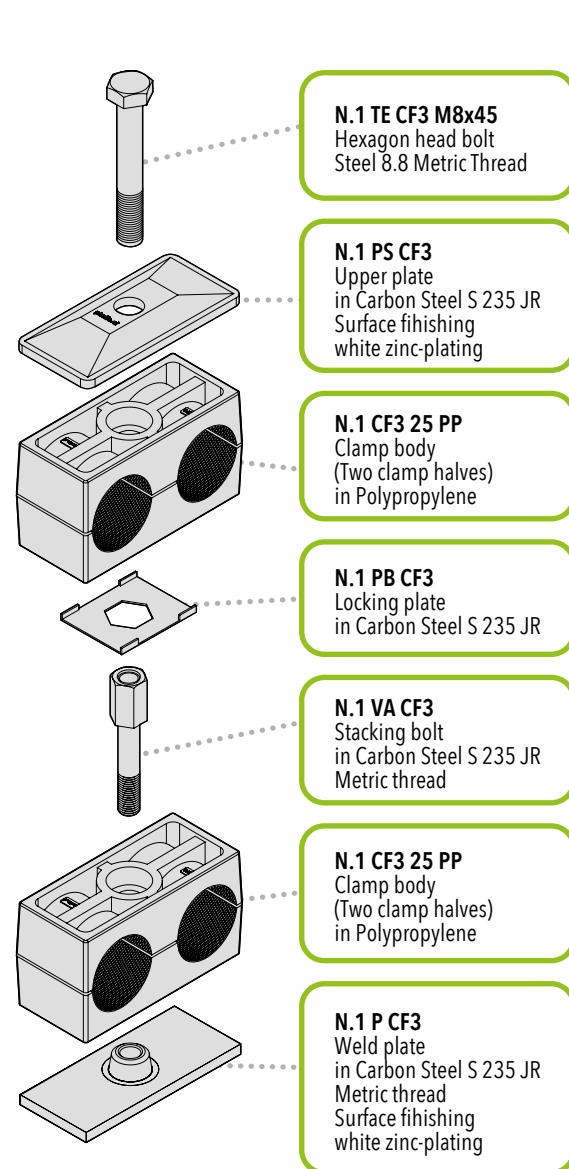
MOUNTING EXAMPLE 05

Mounting Example of complete stacked clamp CF3 in Polypropylene for pipe with outside diameter of 25 mm, mounting rail nut.



MOUNTING EXAMPLE 06

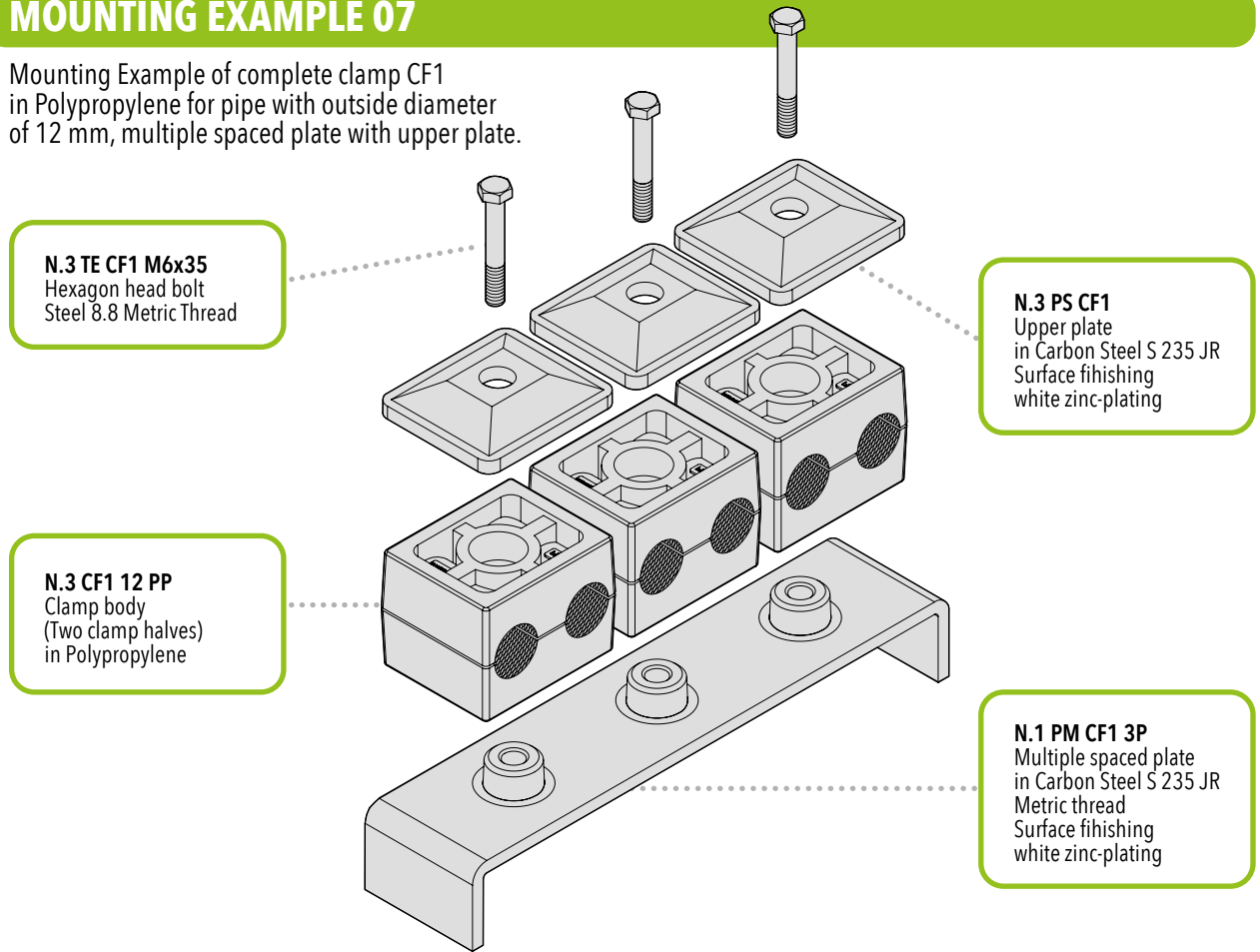
Mounting Example of complete stacked clamp CF3 in Polypropylene for pipe with outside diameter of 25 mm, with single weld plate and upper plate.





MOUNTING EXAMPLE 07

Mounting Example of complete clamp CF1 in Polypropylene for pipe with outside diameter of 12 mm, multiple spaced plate with upper plate.



N.3 TE CF1 M6x35
 Hexagon head bolt
 Steel 8.8 Metric Thread

N.3 PS CF1
 Upper plate
 in Carbon Steel S 235 JR
 Surface finishing
 white zinc-plating

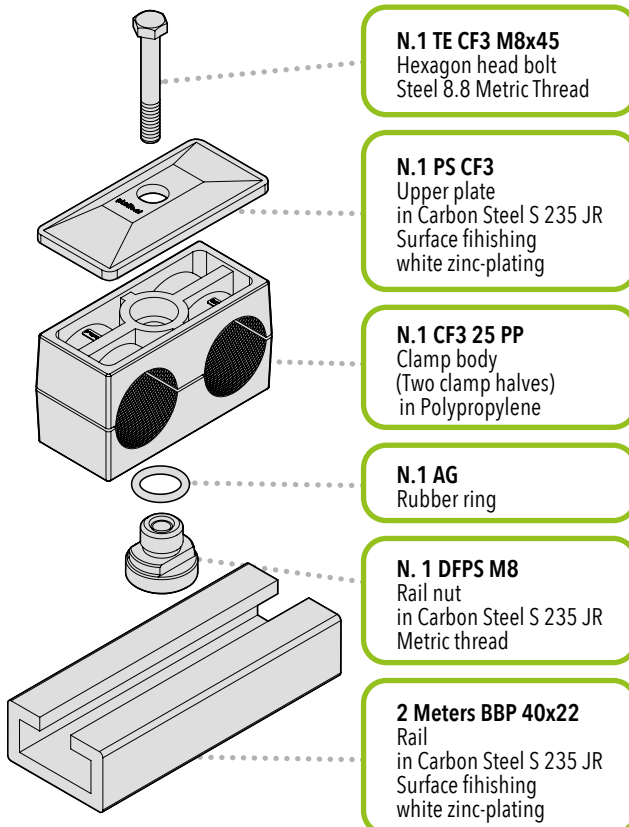
N.3 CF1 12 PP
 Clamp body
 (Two clamp halves)
 in Polypropylene

N.1 PM CF1 3P
 Multiple spaced plate
 in Carbon Steel S 235 JR
 Metric thread
 Surface finishing
 white zinc-plating

68

MOUNTING EXAMPLE 08

Complete clamp CF3 in Polypropylene for pipe with outside diameter of 25 mm, mounting special rail nut.



N.1 TE CF3 M8x45
 Hexagon head bolt
 Steel 8.8 Metric Thread

N.1 PS CF3
 Upper plate
 in Carbon Steel S 235 JR
 Surface finishing
 white zinc-plating

N.1 CF3 25 PP
 Clamp body
 (Two clamp halves)
 in Polypropylene

N.1 AG
 Rubber ring

N.1 DFPS M8
 Rail nut
 in Carbon Steel S 235 JR
 Metric thread

2 Meters BBP 40x22
 Rail
 in Carbon Steel S 235 JR
 Surface finishing
 white zinc-plating