

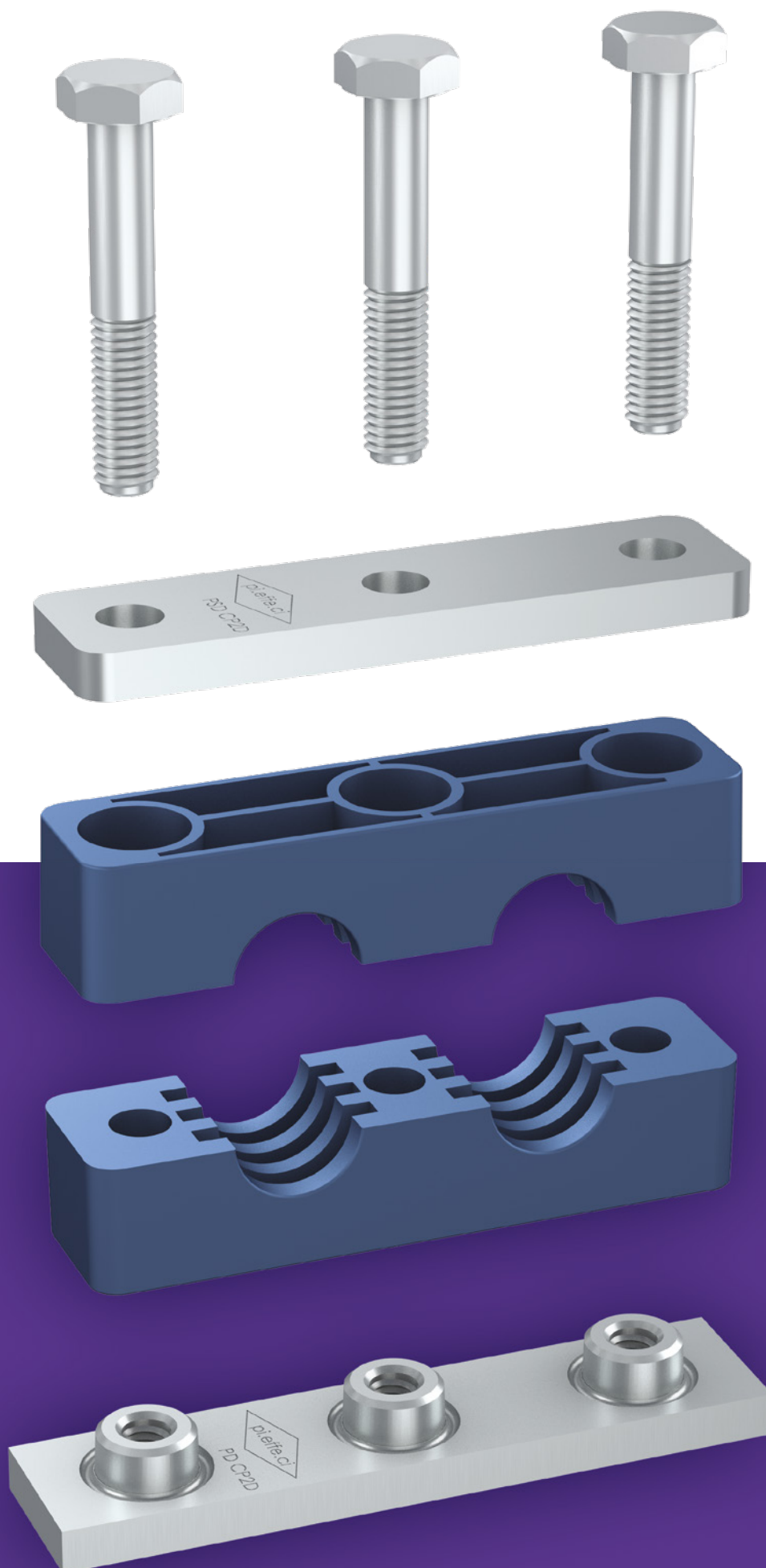


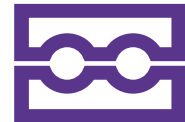
# PIPE CLAMPS **HEAVY SERIES TWIN DESIGN**

Order Codes and Dimensions (mm/in)

## PIPE CLAMPS **HEAVY SERIES TWIN DESIGN**

78





# PIPE CLAMPS HEAVY SERIES TWIN DESIGN

79

## CLAMP BODY STANDARD MATERIALS



**Polypropylene**  
Colour **Blue** .....  
Code **PP**

**OTHER COLOURS  
AVAILABLE ON DEMAND!**



**Polyamide**  
Colour **Black**  
Code **PA**



**Self-extinguishing Polypropylene**  
Colour **White**  
Code **AU**

DIFFERENT DAMETERS AND MATERIALS AVAILABLE ON REQUEST.

ON REQUEST, ANY CLAMP BODY CAN BE SUPPLIED  
WITH TWO DIFFERENT DIAMETERS.

Clamp body internal surface:  
**profiled**

For Material Characteristics, see Technical Appendix (page 147).

## COMPONENTS AND ACCESSORIES STANDARD MATERIALS

**Carbon Steel S 275 JR** with finishing surface in white zinc-coated  
Fe Zn c8 II.

**Untreated** are available on request.

**Stainless Steel Inox 316L** (X2 CrNiMo 17-12-2) 1.4404  
marked with X identification code.

The **BBP** track is treated with zinc-coating Fe Zn c8 II.

**Metric thread:** code **M**  
**UNC thread:** code **UNC**.

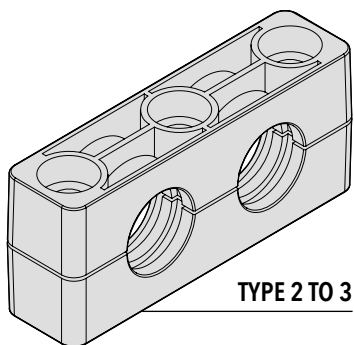
For Material Characteristics, see Technical Appendix (page 147).





# CP D CLAMP BODY

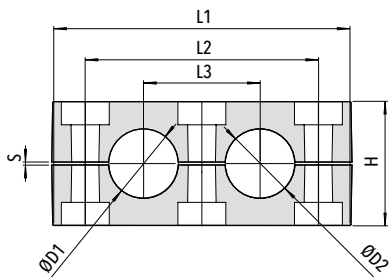
TWO CLAMP HALVES



TYPE 2 TO 3

80

Code CP D (Material PP - PA - AU)



## ORDER CODE

CLAMP BODY CODE	OUTSIDE DIAMETER (mm)	MATERIAL
-----------------	-----------------------	----------

## EXAMPLE

Clamp body type: 2  
Material: PP  
Outside diameter: 15 mm  
Order code: **CP2 D - 22 - PP**

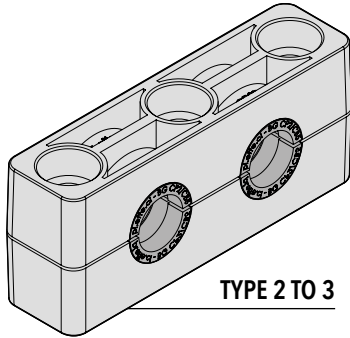
Code	Outside Diameter ØD		L1	L2	L3	H	S	Width
	mm	nominal bore pipe in						
	19	3/4"						
	20							
	21,3	1/2"						
	22	7/8"						
<b>CP2 D</b>			115 (4.53")	90 (3.54")	45 (1.77")	48 (1.89")	1 (.04")	30 (1.18")
	25,4	1"						
	26,9	3/4"						
	28							
	30							
	32	1.1/4"						
	33,7	1"						
<b>CP3 D</b>	38	1.1/2"	145 (5.71")	120 (4.72")	60 (2.36")	60 (2.36")	1,2 (.05")	30 (1.18")
	40							
	42,4	1.1/4"						



# CPD B CLAMP BODY

WITH RUBBER BUSHING

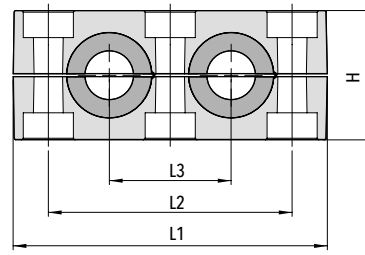
TWO CLAMP HALVES



TYPE 2 TO 3

### ORDER EXAMPLE

CP2 DB - PP

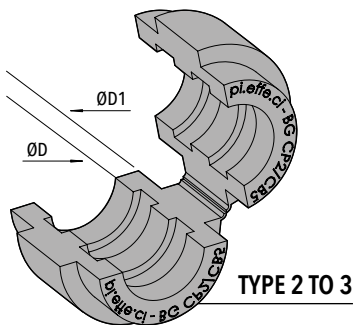


Code	L1	L2	L3	H	S	Width
CP2 DB	115 (4.53")	90 (3.54")	45 (1.77")	48 (1.89")	1 (.04")	30 (1.18")
CP3 DB	145 (5.71")	120 (4.72")	60 (2.36")	60 (2.36")	1,2 (.05")	30 (1.18")

Code CPD B (Material PP - PA - AU)

PIPE CLAMPS  
HEAVY SERIES TWIN DESIGN

# BG RUBBER BUSHING



TYPE 2 TO 3

Code BG (Material GM)

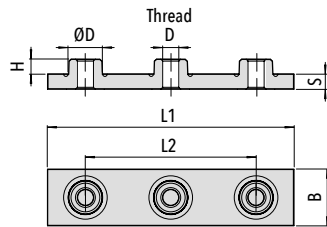
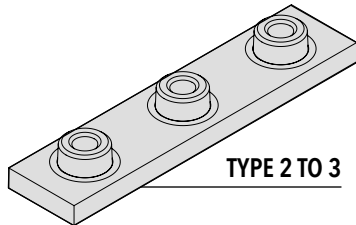
### ORDER EXAMPLE

BG CP2 B - 15

Code	Outside Diameter ØD		ØD1	Width
	mm	nominal bore pipe in		
	6			
	8	5/16"		
	10	1/8"		
	12			
	12,7	1/2"		
BG CP2	14		25 (.98")	30 (1.18")
	15			
	16	5/8"		
	17,2	3/8"		
	18			
	19	3/4"		
	20			
	21,3	1/2"		
	22	7/8"		
BG CP3	25		38 (1.50")	30 (1.18")
	26,9	3/4"		
	28			
	30			
	32	1.1/4"		



# PD CP WELD PLATE



Code PD CPD (Carbon Steel S 275 JR)  
Code XPD CPD (Stainless Steel AISI 316L).

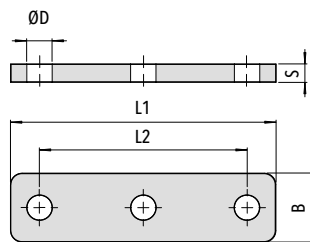
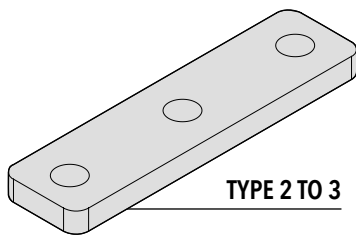
Code	Thread D	L1	L2	B	S	H	ØD
------	-------------	----	----	---	---	---	----

PD CP2D XPD CP2D	M10 (3/8-16 UNC)	130 (5.12")	90 (3.54")	30 (1.18")	8 (.31")	8 (.31")	18 (.71")
---------------------	---------------------	----------------	---------------	---------------	-------------	-------------	--------------

PD CP3D XPD CP3D	M10 (3/8-16 UNC)	160 (6.30")	120 (4.72")	30 (1.18")	8 (.31")	8 (.31")	18 (.71")
---------------------	---------------------	----------------	----------------	---------------	-------------	-------------	--------------

82

# PSD CP UPPER PLATE



Code PSD CPD (Carbon Steel S 275 JR)  
Code XPSD CPD (Stainless Steel AISI 316L).

Code	L1	L2	B	S	ØD
------	----	----	---	---	----

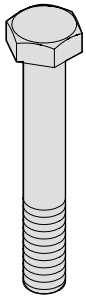
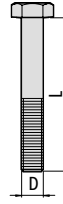
PSD CP2D XPSD CP2D	115 (4.53")	90 (3.54")	30 (1.18")	8 (.31")	11 (.43")
-----------------------	----------------	---------------	---------------	-------------	--------------

PSD CP3D XPSD CP3D	145 (5.71")	120 (4.72")	30 (1.18")	8 (.31")	11 (.43")
-----------------------	----------------	----------------	---------------	-------------	--------------



# TE CP HEXAGON HEAD BOLT

ISO 4014 / 4017



Code **TE CP** (Steel 8.8)  
 Code **XTE CP** (Stainless Steel A4)

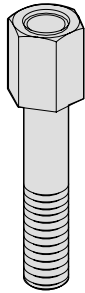
Code	Thread (D x L)
TE CP2 XTE CP2	M10x60 (3/8-16 UNC x 2-1/4")
TE CP3 XTE CP3	M10x70 (3/8-16 UNC x 2-3/4")

**HEAVY SERIES TWIN DESIGN**  
 PIPE CLAMPS

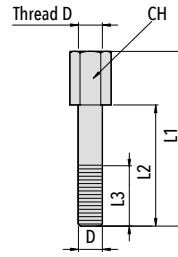


# VA CP HIGH HEXAGON HEAD BOLT

FOR STACKED CLAMPS



Code **VA CP** (Carbon Steel S 235 JR)  
Code **XVA CP** (Stainless Steel AISI 316L)



Code	Thread D	L1	L2	L3	CH
------	----------	----	----	----	----

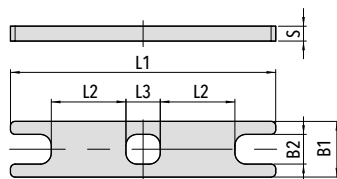
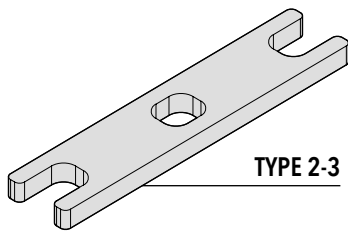
<b>VA CP2</b> <b>XVACP2</b>	M10 (3/8-16 UNC)	65 (2.56")	40 (1.57")	18 (.71")	15 (.59")
--------------------------------	---------------------	---------------	---------------	--------------	--------------

<b>VA CP3</b> <b>XVA CP3</b>	M10 (3/8-16 UNC)	77 (3.03")	51 (2.01")	18 (.71")	15 (.59")
---------------------------------	---------------------	---------------	---------------	--------------	--------------

84

# PB CPD LOCKING PLATE

FOR STACKED CLAMPS



Code	L1	L2	L3	B1	B2	S
------	----	----	----	----	----	---

<b>PB CP2D</b> <b>XPB CP2D</b>	114 (4.49")	26 (1.02")	18,5 (.73")	30 (1.18")	16 (.63")	8 (.31")
-----------------------------------	----------------	---------------	----------------	---------------	--------------	-------------

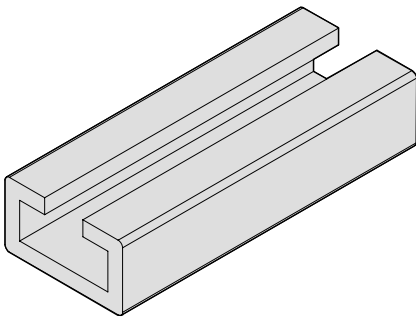
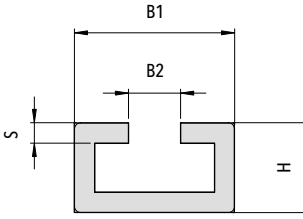
<b>PB CP3D</b> <b>XPB CP3D</b>	143 (5.63")	40 (1.57")	18,5 (.73")	30 (1.18")	16 (.63")	8 (.31")
-----------------------------------	----------------	---------------	----------------	---------------	--------------	-------------

Code **PB CPD** (Carbon Steel S 275 JR)  
Code **XPB CPD** (Stainless Steel AISI 316L).



# BB P MOUNTING HEAVY RAIL

AVAILABLE LENGTHS 1 m / 2 m



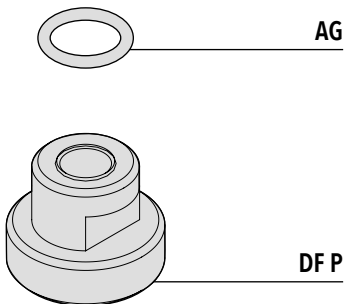
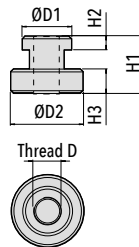
Code	B1	B2	H	S
<b>BB P</b> <b>XBB P</b>	40 (1.57")	13 (.51")	22 (.86")	5 (.19")

**Code BB P** (Carbon Steel S 235 JR)  
**Code XBB P** (Stainless Steel AISI 316L)

HEAVY SERIES TWIN DESIGN  
PIPE CLAMPS

# DF P+AG RAIL NUT WITH RUBBER RING

FOR MOUNTING HEAVY RAIL



Code	ØD1	ØD2	H1	H2	H3	Thread D	AG
<b>DF P</b> <b>XDF P</b> <b>+ AG</b>	17,7 (.70")	22 (.87")	21 (.83")	6,6 (.26")	7,4 (.29")	M10 (3/8-16 UNC)	15x2,62 (.59"x.10")

**Code DF P** (Carbon Steel S 235 JR)  
**Code XDF P** (Stainless Steel AISI 316L)

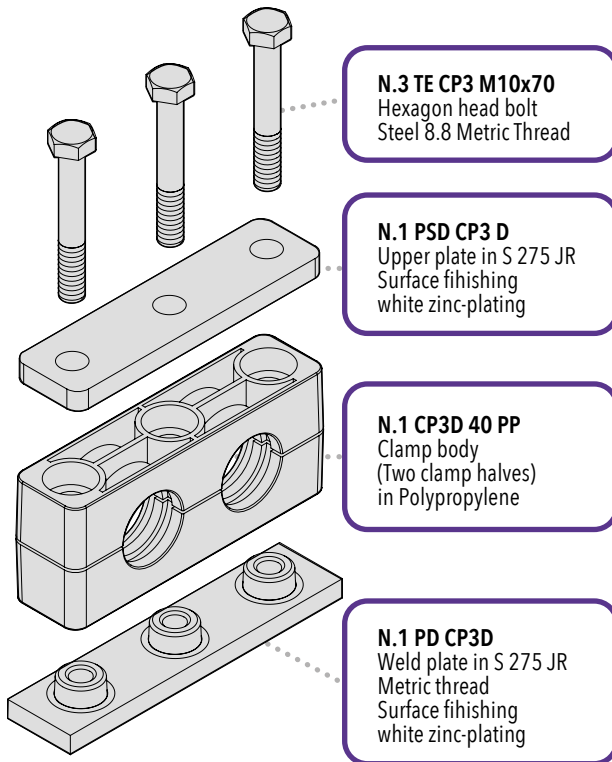
85





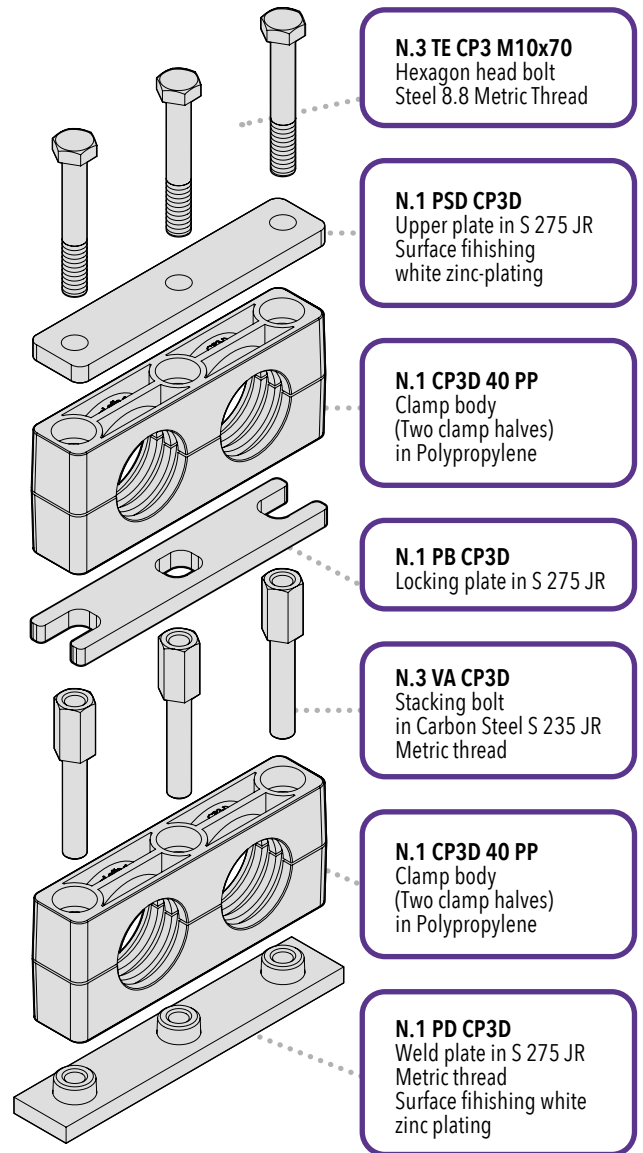
### MOUNTING EXAMPLE 01

Mounting Example of complete clamp CP3-D in Polypropylene for pipe with outside diameter of 40 mm with single weld plate and upper plate.



### MOUNTING EXAMPLE 02

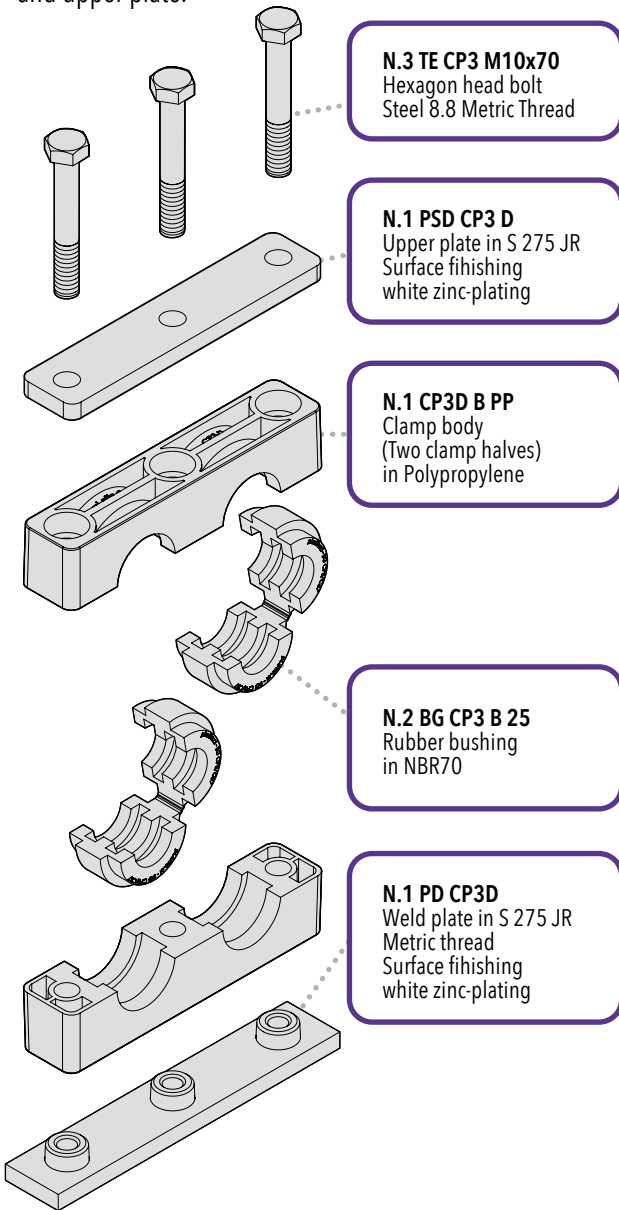
Mounting Example of complete stacked clamp CP3 D in Polypropylene for pipe with outside diameter of 40 mm with single weld plate and upper plate.





### MOUNTING EXAMPLE 03

Mounting Example of complete clamp CP3D-B in Polypropylene with rubber bushing for pipe with outside diameter of 25 mm, with single weld plate and upper plate.



### MOUNTING EXAMPLE 04

Mounting Example of complete clamp CP3-D in Polypropylene for pipe with outside diameter of 40 mm, mounting rail nut.

