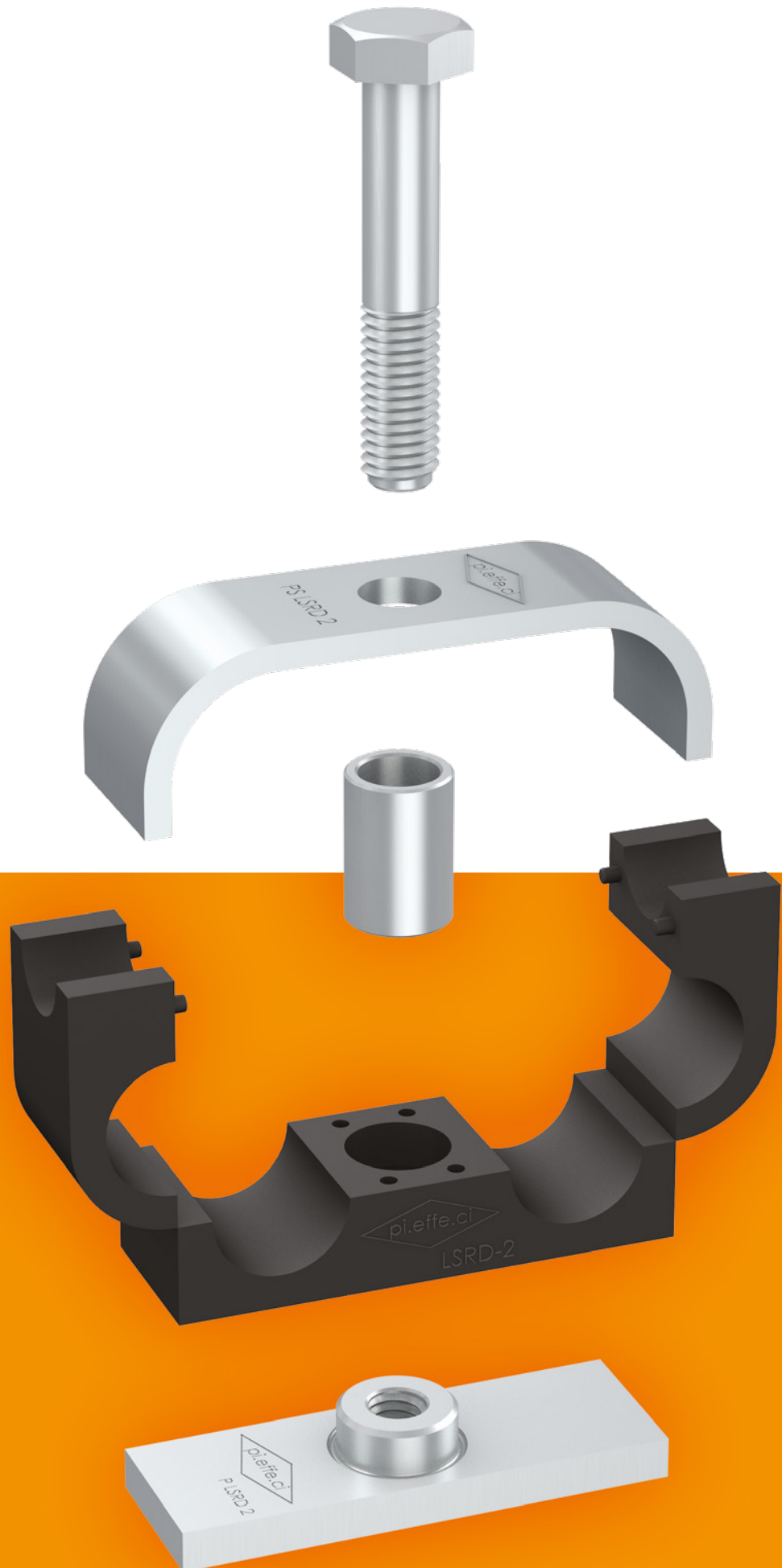




PIPE CLAMPS **LIGHT SERIES**  
Order Codes and Dimensions (mm/in)

PIPE CLAMPS  
**LIGHT SERIES**

88





# PIPE CLAMPS **LIGHT SERIES**

PIPE CLAMPS  
**LIGHT SERIES**

89

## CLAMP BODY STANDARD MATERIALS



**Polypropylene**  
Colour **Blue** .....  
Code **PP**

**OTHER COLOURS  
AVAILABLE ON DEMAND!**



**Polyamide**  
Colour **Black**  
Code **PA6**



**Self-extinguishing Polypropylene**  
Colour **White**  
Code **AU**



**Rubber Elastomer**  
Colour **Black**  
Code **GM**

DIFFERENT DIAMETERS AND MATERIALS AVAILABLE ON REQUEST.

ON REQUEST, ANY CLAMP BODY CAN BE SUPPLIED  
WITH TWO DIFFERENT DIAMETERS.

Clamp body internal surface:  
**Smooth** (A, B, C, LSRA, LSRD)  
**Profiled** (LS, LSCF)

For Material Characteristics, see Technical Appendix (page 147).

## COMPONENTS AND ACCESSORIES STANDARD MATERIALS

**Carbon Steel S 235 JR** with finishing surface in white zinc-coated  
Fe Zn c8 II.

**Untreated** are available on request.

DIFFERENT MATERIALS AVAILABLE ON REQUEST.

The **BB** track is treated with zinc-plating SENDZIMIR.

**Metric thread:** code **M**  
**UNC thread:** code **UNC**.

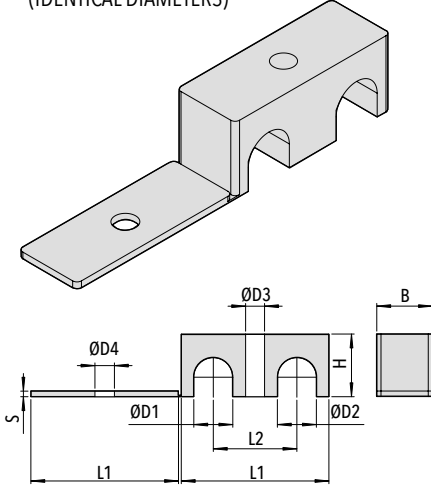
For Material Characteristics, see Technical Appendix (page 147).





# A CLAMP BODY

(IDENTICAL DIAMETERS)



Code A (PP - PA6 - AU)

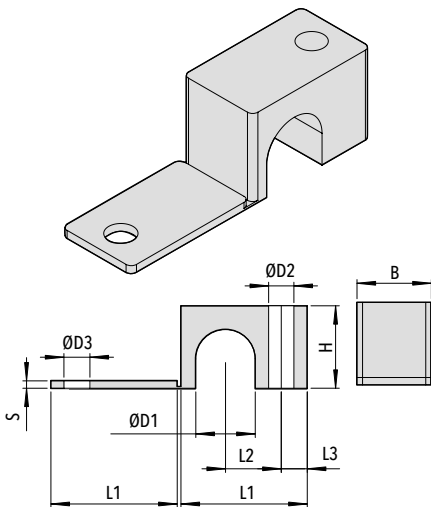
**ORDER EXAMPLE**

A - 6 - 6 - PP

Code	O.D. ØD1 / ØD2		L1	L2	B	H	S	ØD3	ØD4
	mm	nominal bore pipe in							
4									
6			31 (1.22")	18 (.71")	12,8 (.50")	10,5 (.41")	2 (.08")	6,8 (.27")	7 (.28")
8									
9,5		3/8"							
10		1/8"	39 (1.54")	22 (.87")	16 (.63")	15 (.59")	2 (.08")	6,8 (.27")	7 (.28")
12									
12,7		1/2"							
13,5		1/4"							
14									
15			53 (2.09")	30 (1.18")	20 (.79")	22,5 (.89")	2 (.08")	6,8 (.27")	7 (.28")
16		5/8"							
17,2		3/8"							
18									
19		3/4"							
20									
21,3		1/2"	70 (2.76")	38 (1.50")	20 (.79")	30 (1.18")	2 (.08")	6,8 (.27")	7 (.28")
22		7/8"							
25,4		1"							

90

# B CLAMP BODY



Code B (PP - PA6 - AU)

**ORDER EXAMPLE**

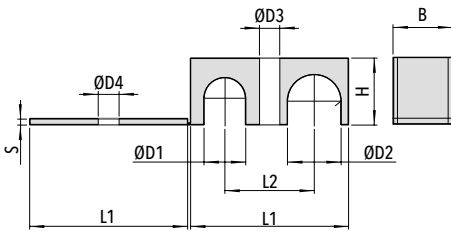
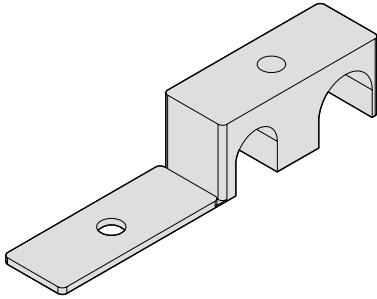
B - 10 - PP

Code	Outside Diameter ØD1		L1	L2	L3	B	H	S	ØD2	ØD3
	mm	nominal bore pipe in								
4										
6			22 (.87")	9 (.35")	6,5 (.26")	12,8 (.50")	10,5 (.41")	2 (.08")	6,8 (.27")	7 (.28")
8										
9,5		3/8"								
10		1/8"	27 (1.06")	11 (.43")	7 (.28")	16 (.63")	15 (.59")	2 (.08")	6,8 (.27")	7 (.28")
12										
12,7		1/2"								
13,5		1/4"								
14										
15			34 (1.34")	15 (.59")	7 (.28")	20 (.79")	22,5 (.89")	2 (.08")	6,8 (.27")	7 (.28")
16		5/8"								
17,2		3/8"								
18										
19		3/4"								
20										
21,3		1/2"	42 (1.65")	19 (.75")	7 (.28")	20 (.79")	30 (1.18")	2 (.08")	6,8 (.27")	7 (.28")
22		7/8"								
25,4		1"								



# C CLAMP BODY

(DIFFERENT DIAMETERS)



Code C (PP - PA6 - AU)

Code	O.D. ØD1 / ØD2		L1	L2	B	H	S	ØD3	ØD4
	mm	nominal bore pipe in							
4-6									
4-8			31 (1.22")	18 (.71")	12,8 (.47")	10,5 (.41")	2 (.08")	6,8 (.27")	7 (.28")
6-8									
10-9,5	1/8"	3/8"							
12-9,5		3/8"	39 (1.54")	22 (.87")	16 (.63")	15 (.59")	2 (.08")	6,8 (.27")	7 (.28")
10-12	1/8"								
13,5-12,7	1/4"	1/2"							
14-12,7		1/2"							
15-12,7		1/2"							
16-12,7		1/2"							
17,2-12,7	3/8"	1/2"							
18-12,7		1/2"							
13,5-14	1/4"								
13,5-15	1/4"								
13,5-16	1/4"	5/8"							
13,5-17,2	1/4"-3/8"								
13,5-18	1/4"		53 (2.09")	30 (1.18")	20 (.79")	22,5 (.89")	2 (.08")	6,8 (.27")	7 (.28")
14-15									
14-16		5/8"							
17,2-14	3/8"								
14-18									
15-16		5/8"							
17,2-15	3/8"								
15-18									
17,2-16	3/8"	5/8"							
16-18									
17,2-18	3/8"								
20-19		3/4"							
21,3-19	1/2"	3/4"							
22-19		7/8"-3/4"							
25,4-19		1"-3/4"							
21,3-20	1/2"		70 (2.76")	38 (1.5")	20 (.79")	30 (1.18")	2 (.08")	6,8 (.27")	7 (.28")
22-20		7/8"							
21,3-22	1/2"	7/8"							
21,3-25,4	1/2"	1"							
22-25,4		7/8"-1							

C

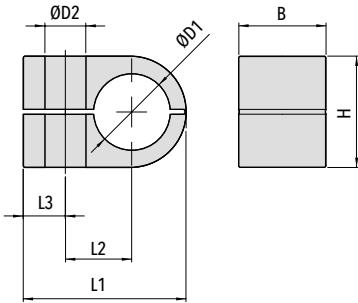
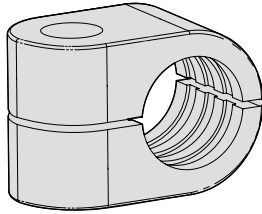
PIPE CLAMPS  
**LIGHT SERIES**

**ORDER EXAMPLE**

C - 15-12,7 - PP



# LS CLAMP BODY



PIPE CLAMPS  
**LIGHT SERIES**

92

Code LS (PP - PA6 - AU)

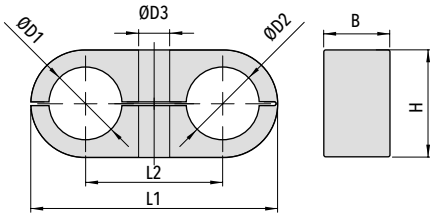
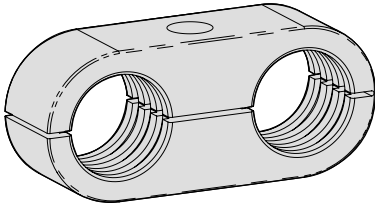
Code	Outside Diameter ØD1		L1	L2	L3	B	H	ØD2
	mm	nominal bore pipe in						
LS1	6							
	6,4	1/4"	22 (.87")	9 (.35")	7 (.28")	14,5 (.57")	13,5 (.53")	6,8 (.27")
	8	5/16"						
LS2	8	5/16"						
	9,5	3/8"						
	10	1/8"	27 (1.06")	11 (.43")	7 (.28")	14,5 (.57")	18,5 (.73")	6,8 (.27")
	12							
	12,7	1/2"						
LS3	10	1/8"						
	12							
	12,7	1/2"						
	13,5	1/4"	33 (1.30")	15 (.59")	7 (.28")	14,5 (.57")	23,5 (.93")	6,8 (.27")
	14							
LS4	15							
	16	5/8"						
	17,2	3/8"						
	18		40 (1.57")	19 (.75")	7 (.28")	14,5 (.57")	30,5 (1.20")	6,8 (.27")
	19	3/4"						
	20							
	21,3	1/2"						
22	7/8"							

### ORDER EXAMPLE

LS2 - 10 - PP



# LSCF CLAMP BODY



Code LSCF (PP - PA6 - AU)

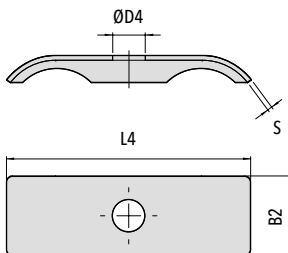
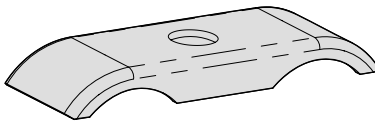
## ORDER EXAMPLE

LSCF3 - 15 - PP

Code	O.D. ØD1 / ØD2		L1	L2	B	H	ØD3
	mm	nominal bore pipe in					
LSCF1	6						
	6,4	1/4"	32 (1.26")	18 (.70")	14,5 (.57")	13,5 (.53")	6,8 (.27")
	8	5/16"					
LSCF2	8	5/16"					
	9,5	3/8"					
	10	1/8"	41 (1.61")	22 (.86")	14,5 (.57")	18,5 (.73")	6,8 (.27")
	12						
	12,7	1/2"					
LSCF3	10	1/8"					
	12						
	12,7	1/2"					
	13,5	1/4"	54 (2.13")	30 (1.18")	14,5 (.57")	23,5 (.93")	6,8 (.27")
	14						
	15						
	16	5/8"					
LSCF4	14						
	15						
	16	5/8"					
	17,2	3/8"					
	18		70 (2.76")	38 (1.50")	14,5 (.57")	30,5 (1.20")	6,8 (.27")
	19	3/4"					
	20						
21,3	1/2"						
22	7/8"						

PIPE CLAMPS  
**LIGHT SERIES**

# PS LSCF UPPER PLATE



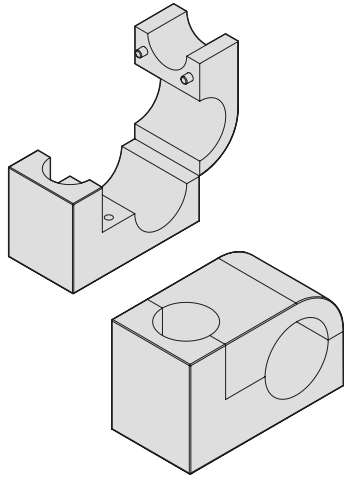
Code PS LSCF (Carbon Steel S 235 JR)

Code	L4	B2	ØD4	S
PS LSCF1	29,5 (1.16")	15,5 (.61")	6,8 (.27")	1 (.04")
PS LSCF2	40 (1.57")	15,5 (.61")	6,8 (.27")	1 (.04")
PS LSCF3	51 (2.01")	16 (.63")	6,8 (.27")	1 (.04")
PS LSCF4	63,5 (2.50")	16 (.63")	6,8 (.27")	1 (.04")



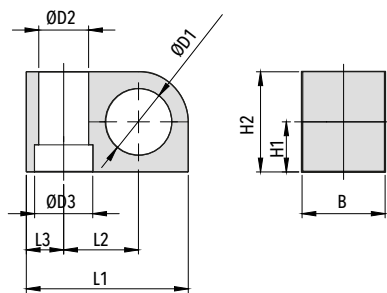
# LSRA CLAMP BODY

PIPE CLAMPS  
**LIGHT SERIES**



94

Code LSRA (Material GM)



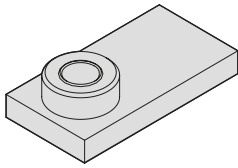
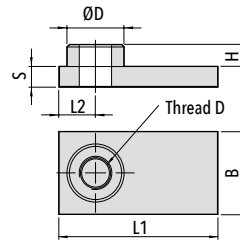
Code	Outside Diameter ØD1		ØD2	ØD3	L1	L2	L3	H1	H2	B
	mm	nominal bore pipe in								
	6									
	6,4	1/4"								
	8	5/16"								
LSRA1	9,5	3/8"	12	14	34	15	9	10	20	20
	10	1/8"	(.47")	(.55")	(1.34")	(.59")	(.35")	(.39")	(.79")	(.79")
	11									
	12									
	12,7	1/2"								
	4									
	6									
	6,4	1/4"								
	8	5/16"								
	9,5	3/8"								
	10	1/8"								
	11									
	12									
LSRA2	12,7	1/2"	12	14	39	18	9	12	24	20
			(.47")	(.55")	(1.54")	(.71")	(.35")	(.47")	(.94")	(.79")
	13,5	1/4"								
	14									
	15									
	16	5/8"								
	17,2	3/8"								
	18									
	19	3/4"								
	20									
	21,3	1/2"								
	22	7/8"								
	23									
LSRA3	25		12	14	57,5	23,5	15	20	40	30
	25,4	1"	(.47")	(.55")	(2.26")	(.93")	(.59")	(.79")	(1.57")	(1.18")
	28									
	30									
	32	1.1/4"								

### ORDER EXAMPLE

LSRA2 - 12 - GM



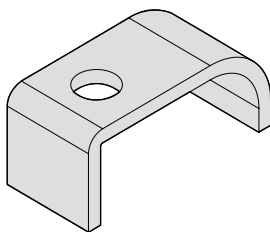
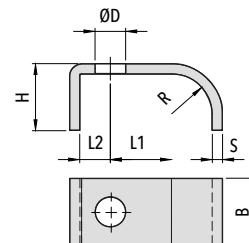
# PLSRA WELD PLATE



Code	Thread D	L1	L2	B	H	S	ØD
<b>PLSRA1</b>	M8 (5/16-18 UNC)	34 (1.34")	9 (.35")	20 (.79")	6 (.23")	5 (.20")	14 (.55")
<b>PLSRA2</b>	M8 (5/16-18 UNC)	39 (1.54")	9 (.35")	20 (.79")	6 (.23")	5 (.20")	14 (.55")
<b>PLSRA3</b>	M8 (5/16-18 UNC)	57,5 (2.26")	15 (.59")	30 (1.18")	6 (.23")	5 (.20")	14 (.55")

Code PLSRA (Carbon Steel S 235 JR)

# PSLSRA UPPER PLATE



Code	L1	L2	B	H	R	S	ØD
<b>PSLSRA1</b>	15 (.59")	9 (.35")	20 (.79")	16 (.63")	10 (.39")	3 (.12")	9 (.35")
<b>PSLSRA2</b>	18 (.71")	9 (.35")	20 (.79")	20 (.79")	12 (.47")	3 (.12")	9 (.35")
<b>PSLSRA3</b>	23,5 (.93")	15 (.59")	30 (1.18")	28 (1.10")	19,5 (.77")	3 (.12")	9 (.35")

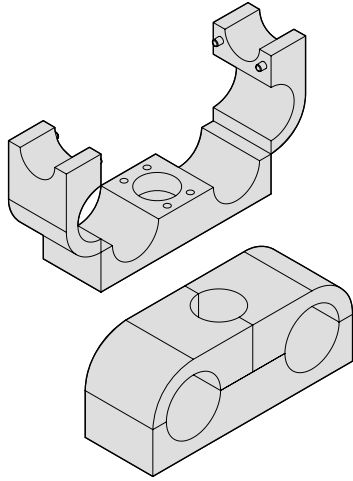
Code PSLSRA (Carbon Steel S 235 JR)





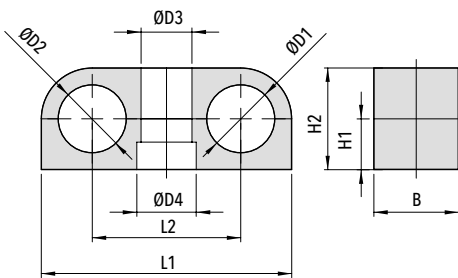
# LSRD CLAMP BODY

PIPE CLAMPS  
**LIGHT SERIES**



96

Code LSRD (Material GM)



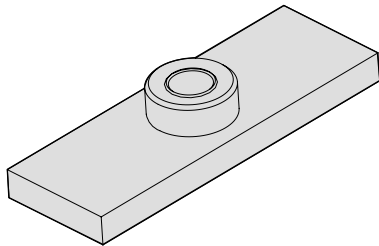
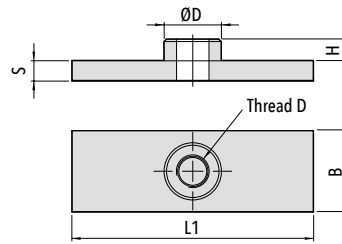
Code	O.D. ØD1 / ØD2		ØD3	ØD4	L1	L2	H1	H2	B
	mm	nominal bore pipe in							
	4								
	6								
	6,4	1/4"							
	8	5/16"							
<b>LSRD1</b>	9,5	3/8"	12 (.47")	14 (.55")	50 (1.97")	30 (1.18")	10 (.39")	20 (.79")	20 (.79")
	10	1/8"							
	11								
	12								
	12,7	1/2"							
	4								
	6								
	6,4	1/4"							
	8	5/16"							
	9,5	3/8"							
	10	1/8"							
	11								
	12								
<b>LSRD2</b>	12,7	1/2"	12 (.47")	14 (.55")	59 (2.32")	35 (1.38")	12 (.47")	24 (.94")	20 (.79")
	13,5	1/4"							
	14	1/2"							
	15								
	16	5/8"							
	17,2	3/8"							
	18								
	19	3/4"							
	20								
	21,3	1/2"							
	22	7/8"							
	23								
<b>LSRD3</b>	25		12 (.47")	14 (.55")	86 (3.39")	47 (1.85")	20 (.79")	40 (1.57")	30 (1.18")
	25,4	1"							
	28								
	30								
	32	1.1/4"							

## ORDER EXAMPLE

LSRD3 - 25 - GM



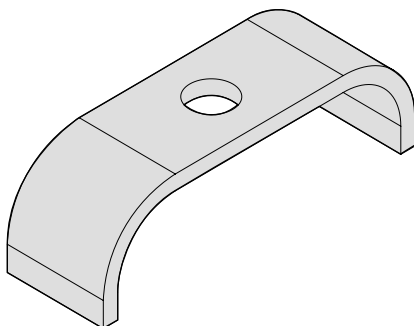
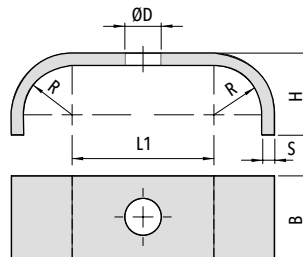
# PLSRD WELD PLATE



Code	Thread D	L1	B	H	S	ØD
<b>PLSRD1</b>	M8 (5/16-18 UNC)	50 (1.97")	20 (.79")	6 (.23")	5 (.20")	14 (.55")
<b>PLSRD2</b>	M8 (5/16-18 UNC)	59 (2.32")	20 (.79")	6 (.23")	5 (.20")	14 (.55")
<b>PLSRD3</b>	M8 (5/16-18 UNC)	86 (3.39")	30 (1.18")	6 (.23")	5 (.20")	14 (.55")

Code PLSRD (Carbon Steel S 235 JR)

# PSLSRD UPPER PLATE



Code	L1	B	H	R	S	ØD
<b>PSLSRD1</b>	30 (1.18")	20 (.79")	16 (.63")	10 (.39")	3 (.12")	9 (.35")
<b>PSLSRD2</b>	35 (1.38")	20 (.79")	20 (.79")	12 (.47")	3 (.12")	9 (.35")
<b>PSLSRD3</b>	47 (1.85")	30 (1.18")	28 (1.10")	19,5 (.77")	3 (.12")	9 (.35")

Code PSLSRD (Carbon Steel S 235 JR)

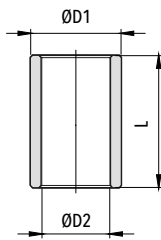
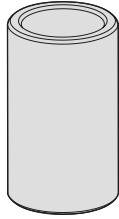


# D LSR BUSHING

**DC LSR**  
FOR USE WITH  
MOUNTING RAIL **BB**

**DM LSR**  
FOR USE WITH  
WELD PLATE **PLSRA** OR **PLSRD**

**DL LSR**  
FOR USE  
WITHOUT WELD PLATE



Code	ØD1	ØD2	L
------	-----	-----	---

Code	ØD1	ØD2	L
------	-----	-----	---

Code	ØD1	ØD2	L
------	-----	-----	---

**DC LSR1** 12 9 12,8  
(.47") (.35") (.50")

**DM LSR1** 12 9 13,5  
(.47") (.35") (.53")

**DL LSR1** 12 9 18,8  
(.47") (.35") (.74")

**DC LSR2** 12 9 16,8  
(.47") (.35") (.66")

**DM LSR2** 12 9 17,5  
(.47") (.35") (.69")

**DL LSR2** 12 9 22,7  
(.47") (.35") (.89")

**DC LSR3** 12 9 32,8  
(.47") (.35") (1.29")

**DM LSR3** 12 9 33,5  
(.47") (.35") (1.32")

**DL LSR3** 12 9 38,8  
(.47") (.35") (1.53")

See Mounting Examples  
nn. 7 and 9

See Mounting Examples  
nn. 6 and 10

See Mounting Examples  
nn. 5 and 8

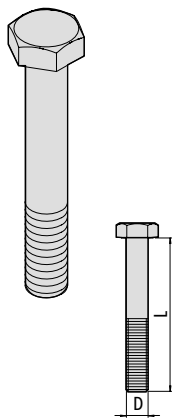
Code **D LSR** (Carbon Steel S 235 JR)

# TE HEXAGON HEAD BOLT

ISO 4014 / 4017

**TE C-M**  
FOR USE WITH MOUNTING RAIL **BB**,  
WELD PLATE **PLSRA** OR **PLSRD**

**TE L**  
FOR USE  
WITHOUT WELD PLATE



Code	Thread (D x L)
------	-------------------

Code	Thread (D x L)
------	-------------------

M8x25  
(5/16-18 UNCx1")

M8x30  
(5/16-18 UNCx1-1/4")

**TE C-M**

M8x30  
(5/16-18 UNCx1-1/8")

**TE L**

M8x35  
(5/16-18 UNCx1-3/8")

M8x45  
(5/16-18 UNCx1-3/4")

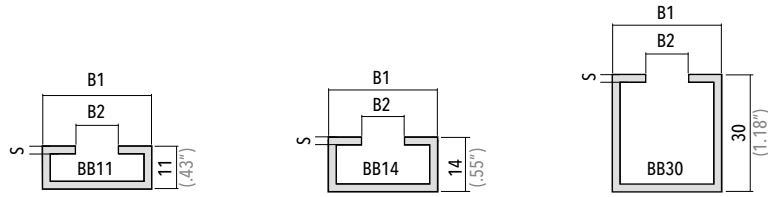
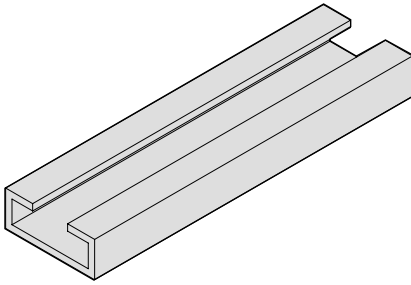
M8x50  
(5/16-18 UNCx2")

Code **TE** (Steel 8.8)



# BB MOUNTING RAIL

AVAILABLE HEIGHTS 11 / 14 / 30 mm  
AVAILABLE LENGTH 2 m

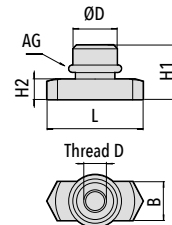


Code	B1	B2	S
<b>BB</b> <b>XBB</b>	28 (1.10")	11 (.43")	2 (.08")

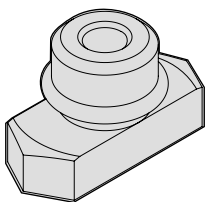
Code **BB** (Steel DX51D)  
Code **XBB** (Stainless Steel AISI 316L)

PIPE CLAMPS  
**LIGHT SERIES**

# DF+AG RAIL NUT WITH RUBBER RING



99

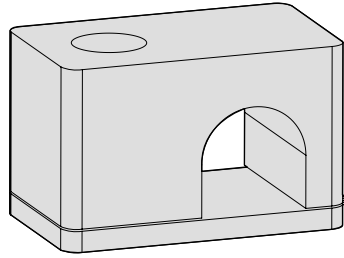


Code	Thread D	L	B	H1	H2	ØD	AG
<b>DF</b> <b>XDF</b>	M8 (5/16-18 UNC)	25,5 (1.00")	10,4 (.41")	13,5 (.53")	5 (.20")	13,8 (.54")	10x2,2 (.39"x.08")

Code **DF** (Steel C20)  
Code **XDF** (Stainless Steel AISI 316L)

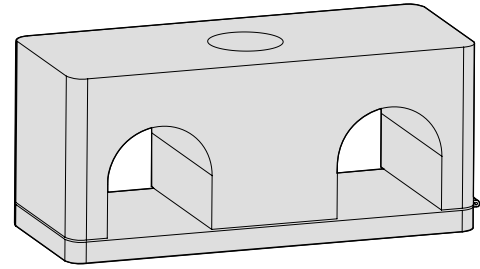
**MOUNTING EXAMPLE 01**

Mounting Example of clamp Type B 10 PP in Polypropylene for pipe with outside diameter of 10 mm.



**MOUNTING EXAMPLE 02**

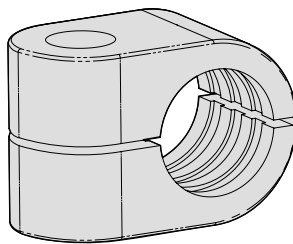
Mounting Example of clamp Type A 10-10 PP in Polypropylene for pipe with outside diameter of 10 mm.



100

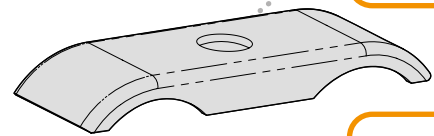
**MOUNTING EXAMPLE 03**

Mounting Example of clamp LS1 8 PP in Polypropylene for pipe with outside diameter of 8 mm.

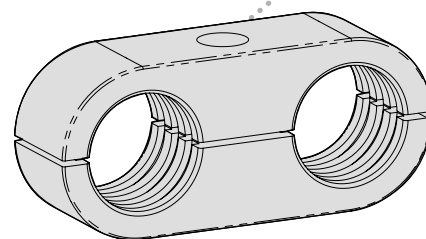


**MOUNTING EXAMPLE 04**

Mounting Example of clamp LSCF1 08-08 PP in Polypropylene for pipe with outside diameter of 8 mm with upper plate PS LSCF1.



**N.1 PS LSCF1**  
Upper plate  
in Stainless Steel S 235 JR  
Surface finishing  
white zinc-plating

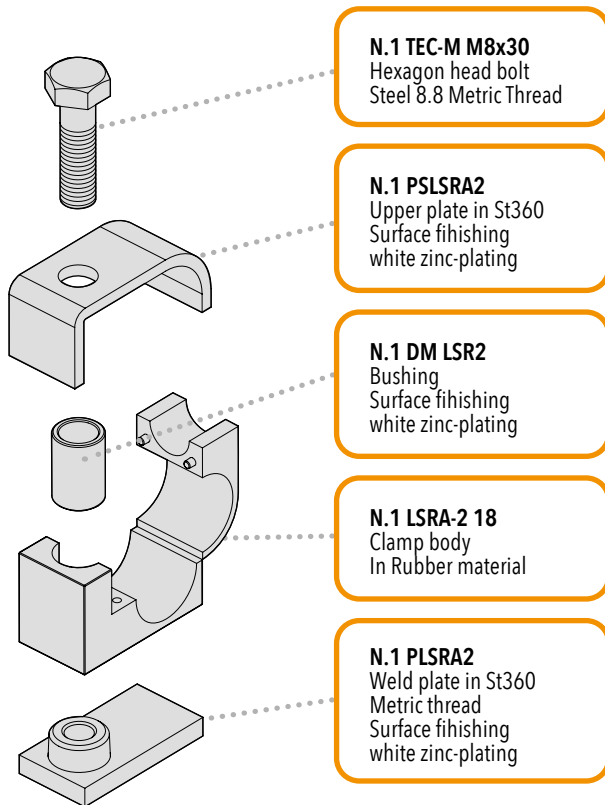


**N.1 LSCF1 08-08PP**  
Clamp body  
in Polypropylene



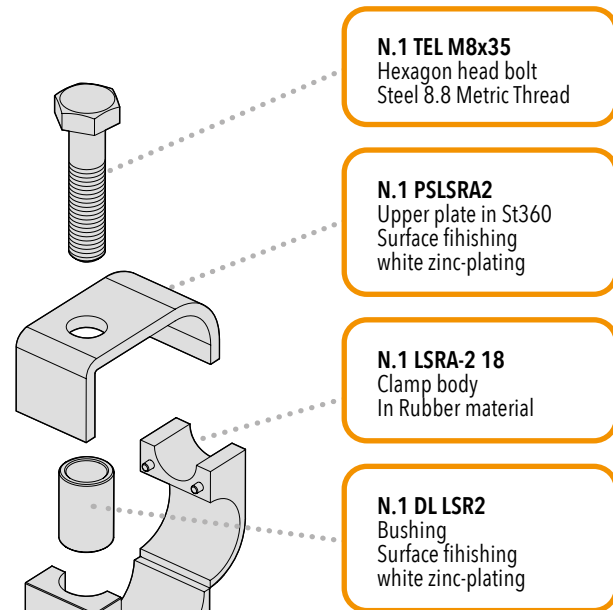
### MOUNTING EXAMPLE 05

Mounting Example clamp LSRA with weld plate.



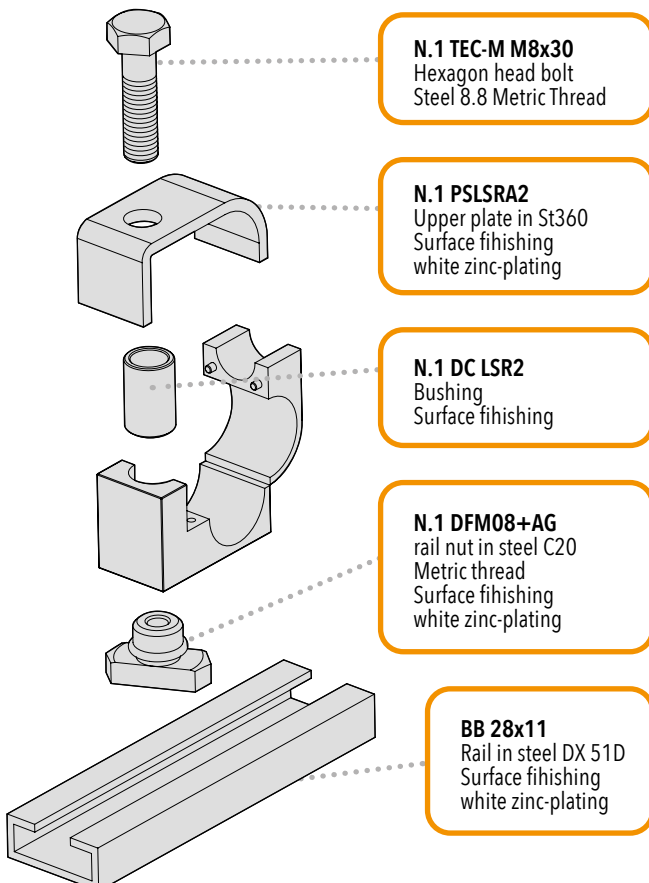
### MOUNTING EXAMPLE 06

Mounting Example clamp LSRA for panel mounting without weld plate or hexagon rail nut.



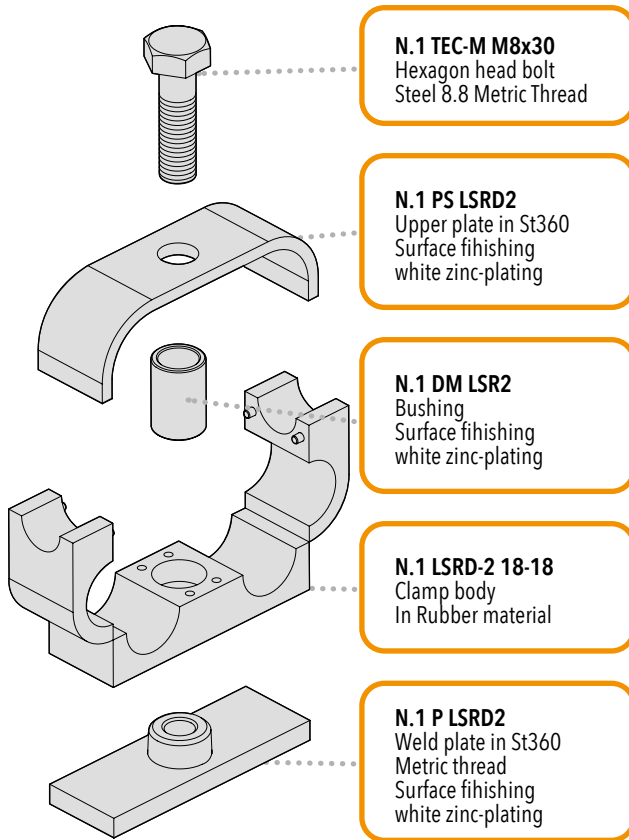
### MOUNTING EXAMPLE 07

Mounting Example clamp LSRA with hexagon rail nut.



**MOUNTING EXAMPLE 08**

Mounting Example clamp LSRD with weld plate.


**N.1 TEC-M M8x30**  
 Hexagon head bolt  
 Steel 8.8 Metric Thread

**N.1 PS LSRD2**  
 Upper plate in St360  
 Surface finishing  
 white zinc-plating

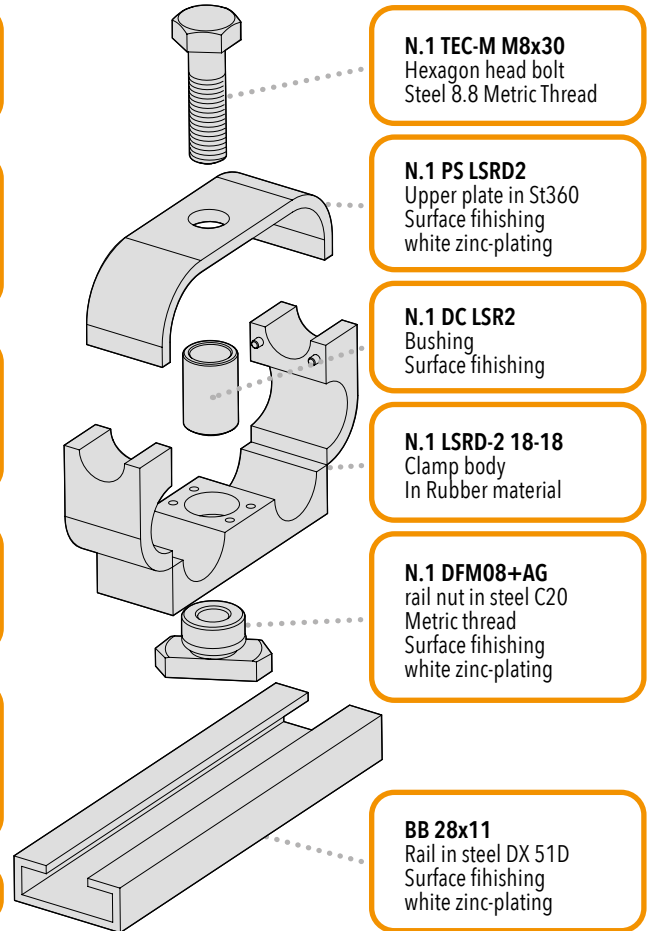
**N.1 DM LSR2**  
 Bushing  
 Surface finishing  
 white zinc-plating

**N.1 LSRD-2 18-18**  
 Clamp body  
 In Rubber material

**N.1 P LSRD2**  
 Weld plate in St360  
 Metric thread  
 Surface finishing  
 white zinc-plating

**MOUNTING EXAMPLE 09**

Mounting Example clamp LSRD with hexagon rail nut.


**N.1 TEC-M M8x30**  
 Hexagon head bolt  
 Steel 8.8 Metric Thread

**N.1 PS LSRD2**  
 Upper plate in St360  
 Surface finishing  
 white zinc-plating

**N.1 DC LSR2**  
 Bushing  
 Surface finishing

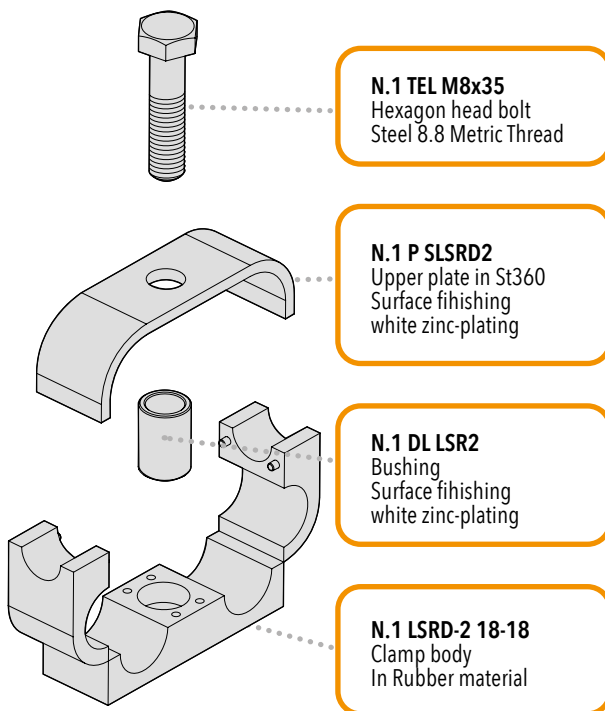
**N.1 LSRD-2 18-18**  
 Clamp body  
 In Rubber material

**N.1 DFM08+AG**  
 rail nut in steel C20  
 Metric thread  
 Surface finishing  
 white zinc-plating

**BB 28x11**  
 Rail in steel DX 51D  
 Surface finishing  
 white zinc-plating

**MOUNTING EXAMPLE 10**

Mounting Example clamp LSRD for panel mounting without weld plate or hexagon rail nut.


**N.1 TEL M8x35**  
 Hexagon head bolt  
 Steel 8.8 Metric Thread

**N.1 P SLSRD2**  
 Upper plate in St360  
 Surface finishing  
 white zinc-plating

**N.1 DL LSR2**  
 Bushing  
 Surface finishing  
 white zinc-plating

**N.1 LSRD-2 18-18**  
 Clamp body  
 In Rubber material