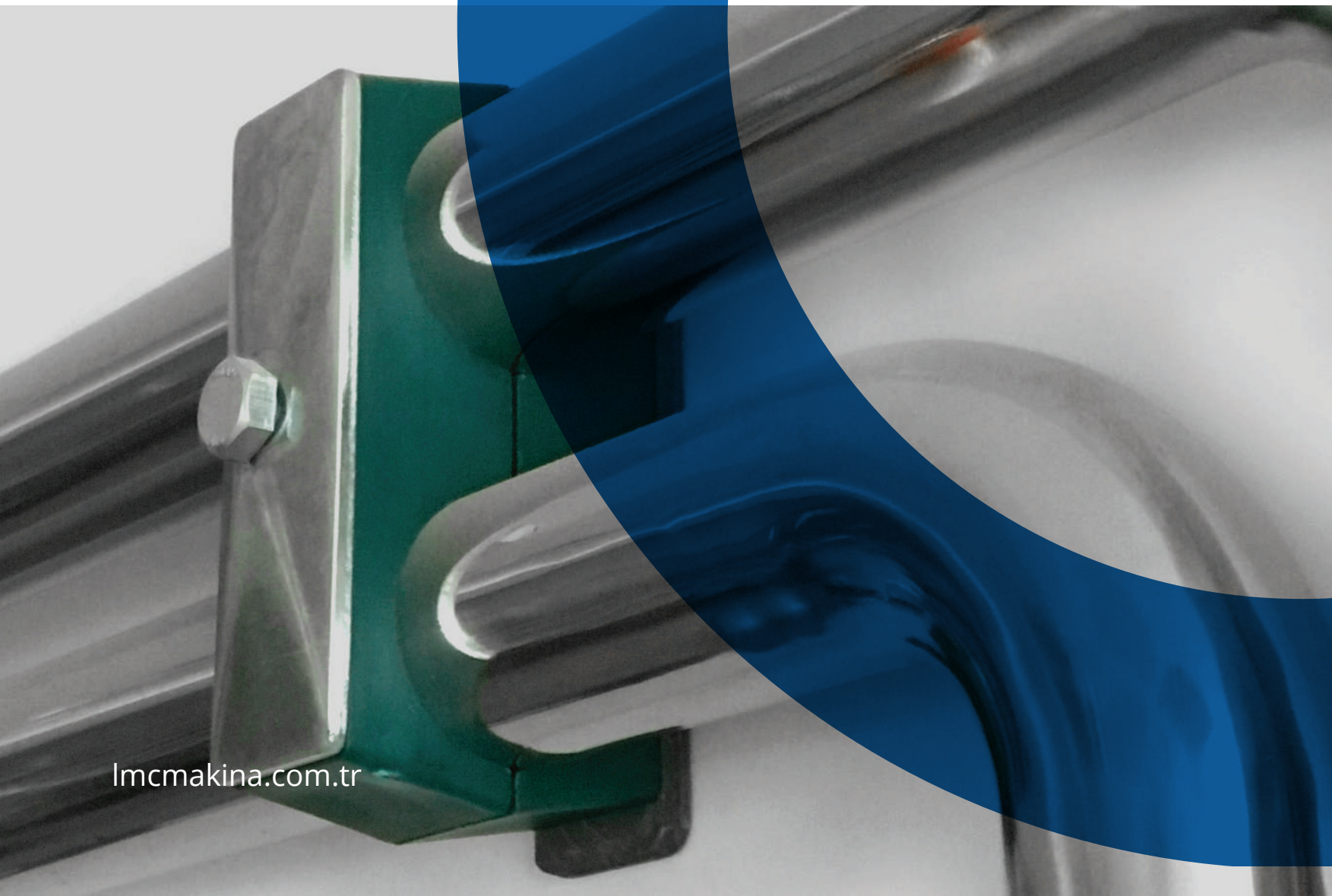
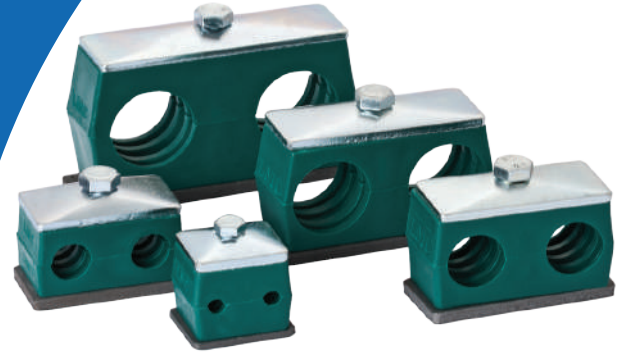


LMC®

İKİZ SERİ TWIN SERIES

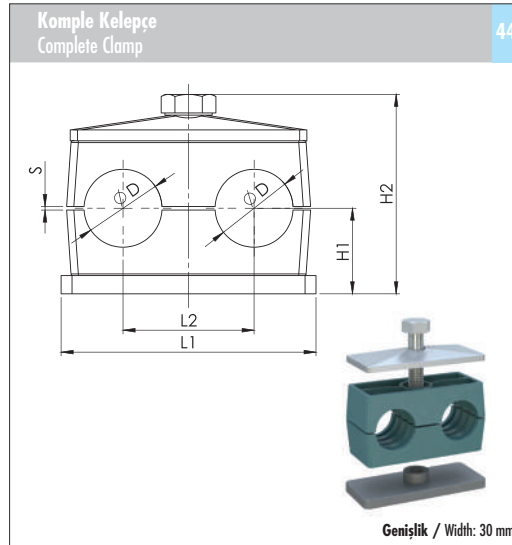
DIN 3015 / 3



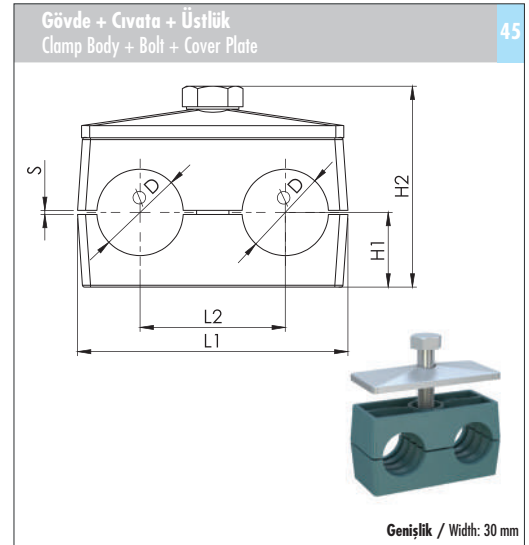
| Metal + Kaplama Tipi Metal + Surface Finishing | | Gövde Malzemesi Clamp Body Material | |
|---|--|--|---------------------------------|
| 0 | Kaplanmasız / Uncoated | A | Alüminyum / Aluminum |
| 1 | Fosfat / Phosphated / Fe/Znph | N | Polyamid / Polyamide |
| 3 | Galvaniz / Galvanized / Fe/Zn 8C Cr3-B | T | TPE |
| 4 | CrNi 304 AISI 304 | P | Polipropilen / Polypropylene |
| 6 | CrNi 316 AISI 316 | | |
| 9 | Çinko Nikel / Zinc Nickel Fe/ZnNi | | |

Farklı malzeme talepleriniz için lütfen LMC Makina'ya danışınız.

For different material request please consult LMC Makina.



| C | M | 4 | 0 | M | 1 | 1 | P | 1 | Y | 1 | 1 | X | X | X | . | X |
|---|---|--|---|---------------------------------|---|---------------|---|--------------|---|---|---|---|---|---|---|---|
| Metal + Kaplama Tipi Metal + Surface Finishing | | Gövde Malzemesi Clamp Body Material | | Gövde Renk Clamp Body Colour | | Grup Group | | Ölçü Size | | | | | | | | |



| C | D | 6 | 8 | M | 1 | 3 | P | 1 | Y | 1 | 1 | X | X | X | . | X |
|---|---|--|---|---------------------------------|---|---------------|---|--------------|---|---|---|---|---|---|---|---|
| Metal + Kaplama Tipi Metal + Surface Finishing | | Gövde Malzemesi Clamp Body Material | | Gövde Renk Clamp Body Colour | | Grup Group | | Ölçü Size | | | | | | | | |

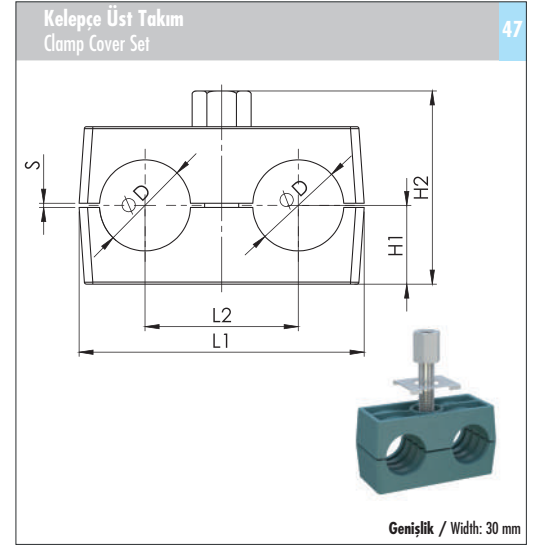
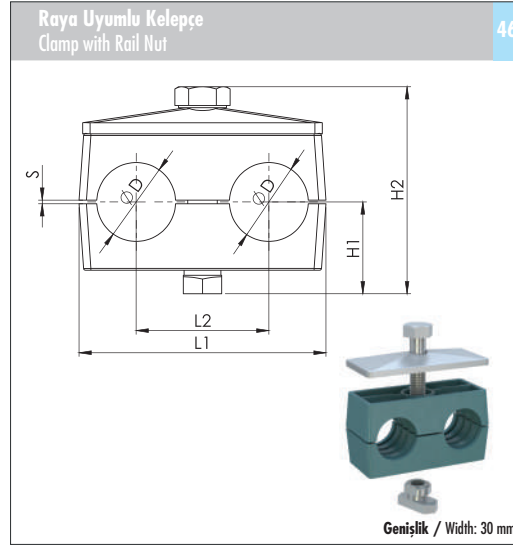
| Grup Group | Dış Çap (ØD) O.D. of Pipe / Tube/Hose mm | Anma Çapı (R) Boru Dış Nominal Bore Pipe inch | Dış Çap (ØD) O.D. of Pipe / Tube/Hose inch |
|---------------|---|--|---|
| I1 | 6 | | |
| | 6.4 | | 1/4 |
| | 8 | | 5/16 |
| | 9.5 | | 3/8 |
| | 10 | R 1/8 | |
| I2 | 12 | | |
| | 12.7 | | 1/2 |
| | 13.5 | R 1/4 | |
| | 14 | | |
| | 15 | | |
| I3 | 16 | | 5/8 |
| | 17.2 | R 3/8 | |
| | 18 | | |
| | 19 | | 3/4 |
| | 20 | | |
| I4 | 21.3 | R 1/2 | |
| | 22 | | 7/8 |
| | 23 | | |
| | 25 | | |
| | 25.4 | | 1 |
| I5 | 26.9 | R 3/4 | |
| | 28 | | |
| | 30 | | |
| I5 | 32 | | 1 1/4 |
| | 33.7 | R 1 | |
| | 35 | | |
| | 38 | | 1 1/2 |
| | 40 | | |
| 42 | R 1 1/4 | | |

| Ölçü Tablosu Dimension Table | | | | | Sipariş Kodu Order Code |
|---------------------------------|----|------|------|--------|----------------------------|
| L1 | L2 | H1 | H2 | S min. | |
| 37 | 20 | 16.5 | 41 | 0.6 | CM40M11P1Y11006.0 |
| | | | | | CM40M11P1Y11006.4 |
| | | | | | CM40M11P1Y11008.0 |
| | | | | | CM40M11P1Y11009.5 |
| | | | | | CM40M11P1Y11010.0 |
| | | | | | CM40M11P1Y11012.0 |
| 55 | 29 | 18.5 | 44.5 | 0.7 | CM40M11P1Y12012.7 |
| | | | | | CM40M11P1Y12013.5 |
| | | | | | CM40M11P1Y12014.0 |
| | | | | | CM40M11P1Y12015.0 |
| | | | | | CM40M11P1Y12016.0 |
| | | | | | CM40M11P1Y12017.2 |
| 70 | 36 | 23.5 | 54.5 | 0.7 | CM40M11P1Y13018.0 |
| | | | | | CM40M11P1Y13019.0 |
| | | | | | CM40M11P1Y13020.0 |
| | | | | | CM40M11P1Y13021.3 |
| | | | | | CM40M11P1Y13022.0 |
| | | | | | CM40M11P1Y13023.0 |
| 85 | 45 | 25.5 | 58.5 | 0.7 | CM40M11P1Y13025.0 |
| | | | | | CM40M11P1Y13025.4 |
| | | | | | CM40M11P1Y14026.9 |
| 110 | 56 | 32 | 71.5 | 0.7 | CM40M11P1Y14028.0 |
| | | | | | CM40M11P1Y14030.0 |
| | | | | | CM40M11P1Y15032.0 |
| 106 | 56 | 27 | 66.5 | 0.7 | CM40M11P1Y15033.7 |
| | | | | | CM40M11P1Y15035.0 |
| | | | | | CM40M11P1Y15038.0 |
| | | | | | CM40M11P1Y15040.0 |
| | | | | | CM40M11P1Y15042.0 |

| Ölçü Tablosu Dimension Table | | | | | Sipariş Kodu Order Code |
|---------------------------------|----|------|------|--------|----------------------------|
| L1 | L2 | H1 | H2 | S min. | |
| 36 | 20 | 13.5 | 38 | 0.6 | CD68M13P1Y11006.0 |
| | | | | | CD68M13P1Y11006.4 |
| | | | | | CD68M13P1Y11008.0 |
| | | | | | CD68M13P1Y11009.5 |
| | | | | | CD68M13P1Y11010.0 |
| | | | | | CD68M13P1Y11012.0 |
| 53 | 29 | 13.5 | 39.5 | 0.7 | CD68M13P1Y12012.7 |
| | | | | | CD68M13P1Y12013.5 |
| | | | | | CD68M13P1Y12014.0 |
| | | | | | CD68M13P1Y12015.0 |
| | | | | | CD68M13P1Y12016.0 |
| | | | | | CD68M13P1Y12017.2 |
| 67 | 36 | 18.5 | 49.5 | 0.7 | CD68M13P1Y13018.0 |
| | | | | | CD68M13P1Y13019.0 |
| | | | | | CD68M13P1Y13020.0 |
| | | | | | CD68M13P1Y13021.3 |
| | | | | | CD68M13P1Y13022.0 |
| | | | | | CD68M13P1Y13023.0 |
| 82 | 45 | 20.5 | 53.5 | 0.7 | CD68M13P1Y13025.0 |
| | | | | | CD68M13P1Y13025.4 |
| | | | | | CD68M13P1Y14026.9 |
| 106 | 56 | 27 | 66.5 | 0.7 | CD68M13P1Y14028.0 |
| | | | | | CD68M13P1Y14030.0 |
| | | | | | CD68M13P1Y15032.0 |
| | | | | | CD68M13P1Y15033.7 |
| | | | | | CD68M13P1Y15035.0 |

* İstek üzerine, ikiz seri boru kelepçelerinin delikleri birbirinden farklı çaplarda da üretilebilmektedir.
* In twin series pipe clamps, the diameter of each pipe hole can be produced with different sizes upon request.

| Metal + Kaplama Tipi Metal + Surface Finishing | | Gövde Malzemesi Clamp Body Material | |
|---|--|--|---------------------------------|
| 0 | Kaplamasız / Uncoated | A | Alüminyum / Aluminum |
| 1 | Fosfat / Phosphated / Fe/Znph | N | Polyamid / Polyamide |
| 3 | Galvaniz / Galvanized / Fe/Zn 8C Cr3-B | T | TPE |
| 4 | CrNi 304 AISI 304 | P | Polipropilen / Polypropylene |
| 6 | CrNi 316 AISI 316 | | |
| 9 | Çinko Nikel / Zinc Nickel / Fe/ZnNi | | |



Farklı malzeme talepleriniz için lütfen
LMC Makina'ya danışınız.

For different material request please consult LMC
Makina.

| CD70M13P1Y11X.X |
|---|
| Metal + Kaplama Tipi Metal + Surface Finishing Gövde Malzemesi Clamp Body Material |
| Gövde Renk Clamp Body Colour |
| Grup Group |
| Ölçü Size |

| CDaaM63P1Y11X.X |
|---|
| Metal + Kaplama Tipi Metal + Surface Finishing Gövde Malzemesi Clamp Body Material |
| Gövde Renk Clamp Body Colour |
| Grup Group |
| Ölçü Size |

| Grup Group | Dış Çap (ØD) O.D. of Pipe / Tube/Hose mm | Anma Çapı (R) Boru Dış Nominal Bore Pipe inch | Dış Çap (ØD) O.D. of Pipe / Tube/Hose inch |
|---------------|---|--|---|
| I1 | 6 | | |
| | 6.4 | | 1/4 |
| | 8 | | 5/16 |
| | 9.5 | | 3/8 |
| | 10 | R 1/8 | |
| I2 | 12 | | |
| | 12.7 | | 1/2 |
| | 13.5 | R 1/4 | |
| | 14 | | |
| | 15 | | |
| I3 | 16 | | 5/8 |
| | 17.2 | R 3/8 | |
| | 18 | | |
| | 19 | | 3/4 |
| | 20 | | |
| I4 | 21.3 | R 1/2 | |
| | 22 | | 7/8 |
| | 23 | | |
| | 25 | | |
| | 25.4 | | 1 |
| I5 | 26.9 | R 3/4 | |
| | 28 | | |
| | 30 | | |
| I5 | 32 | | 1 1/4 |
| | 33.7 | R 1 | |
| | 35 | | |
| | 38 | | 1 1/2 |
| | 40 | | |
| 42 | R 1 1/4 | | |

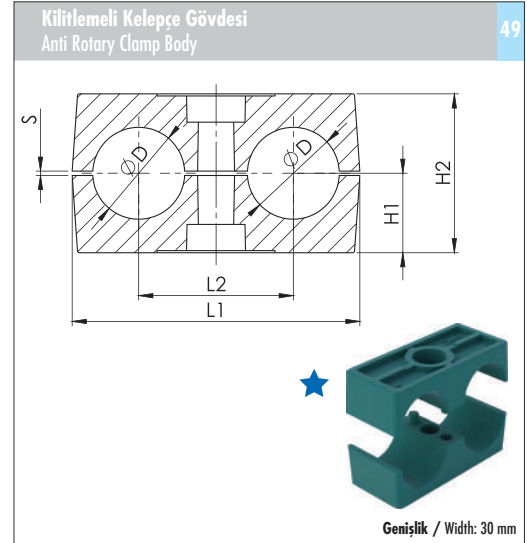
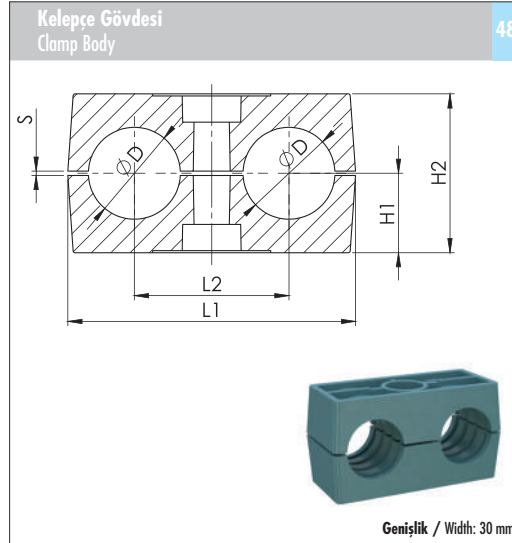
| Ölçü Tablosu Dimension Table | | | | | Sipariş Kodu Order Code |
|---------------------------------|----|------|------|--------|----------------------------|
| L1 | L2 | H1 | H2 | S min. | |
| 36 | 20 | 20.5 | 45 | 0.6 | CD70M13P1Y11006.0 |
| | | | | | CD70M13P1Y11006.4 |
| | | | | | CD70M13P1Y11008.0 |
| | | | | | CD70M13P1Y11009.5 |
| | | | | | CD70M13P1Y11010.0 |
| | | | | | CD70M13P1Y11012.0 |
| 53 | 29 | 20.5 | 46.5 | 0.7 | CD70M13P1Y12012.7 |
| | | | | | CD70M13P1Y12013.5 |
| | | | | | CD70M13P1Y12014.0 |
| | | | | | CD70M13P1Y12015.0 |
| | | | | | CD70M13P1Y12016.0 |
| | | | | | CD70M13P1Y12017.2 |
| 67 | 36 | 25.5 | 56.5 | 0.7 | CD70M13P1Y13019.0 |
| | | | | | CD70M13P1Y13020.0 |
| | | | | | CD70M13P1Y13021.3 |
| | | | | | CD70M13P1Y13022.0 |
| | | | | | CD70M13P1Y13023.0 |
| | | | | | CD70M13P1Y13025.0 |
| 82 | 45 | 27.5 | 60.5 | 0.7 | CD70M13P1Y14026.9 |
| | | | | | CD70M13P1Y14028.0 |
| | | | | | CD70M13P1Y14030.0 |
| 106 | 56 | 34 | 73.5 | 0.7 | CD70M13P1Y15032.0 |
| | | | | | CD70M13P1Y15033.7 |
| | | | | | CD70M13P1Y15035.0 |
| | | | | | CD70M13P1Y15038.0 |
| | | | | | CD70M13P1Y15040.0 |
| CD70M13P1Y15042.0 | | | | | |

| Ölçü Tablosu Dimension Table | | | | | Sipariş Kodu Order Code |
|---------------------------------|----|------|----|--------|----------------------------|
| L1 | L2 | H1 | H2 | S min. | |
| 36 | 20 | 13.5 | 33 | 0.6 | CDaaM63P1Y11006.0 |
| | | | | | CDaaM63P1Y11006.4 |
| | | | | | CDaaM63P1Y11008.0 |
| | | | | | CDaaM63P1Y11009.5 |
| | | | | | CDaaM63P1Y11010.0 |
| | | | | | CDaaM63P1Y11012.0 |
| 53 | 29 | 13.5 | 33 | 0.7 | CDaaM63P1Y12012.7 |
| | | | | | CDaaM63P1Y12013.5 |
| | | | | | CDaaM63P1Y12014.0 |
| | | | | | CDaaM63P1Y12015.0 |
| | | | | | CDaaM63P1Y12016.0 |
| | | | | | CDaaM63P1Y12017.2 |
| 67 | 36 | 18.5 | 43 | 0.7 | CDaaM63P1Y13019.0 |
| | | | | | CDaaM63P1Y13020.0 |
| | | | | | CDaaM63P1Y13021.3 |
| | | | | | CDaaM63P1Y13022.0 |
| | | | | | CDaaM63P1Y13023.0 |
| | | | | | CDaaM63P1Y13025.0 |
| 82 | 45 | 20.5 | 47 | 0.7 | CDaaM63P1Y14026.9 |
| | | | | | CDaaM63P1Y14028.0 |
| | | | | | CDaaM63P1Y14030.0 |
| 106 | 56 | 27 | 60 | 0.7 | CDaaM63P1Y15032.0 |
| | | | | | CDaaM63P1Y15033.7 |
| | | | | | CDaaM63P1Y15035.0 |
| | | | | | CDaaM63P1Y15038.0 |
| | | | | | CDaaM63P1Y15040.0 |
| CDaaM63P1Y15042.0 | | | | | |

* İstek üzerine, ikiz seri boru kelepçelerinin delikleri birbirinden farklı çaplarda da üretilebilmektedir.

* In twin series pipe clamps, the diameter of each pipe hole can be produced with different sizes upon request.

| Gövde Malzemesi Clamp Body Material | Metal + Kaplama Tipi Metal + Surface Finishing | Vida Tipi Thread Type |
|--|---|--------------------------|
| A Alüminyum / Aluminum | 0 Kaplamasız / Uncoated | C UNC |
| N Polyamid / Polyamide | 1 Fosfat / Phosphated / Fe/Znph | F UNF |
| T TPE | 3 Galvaniz / Galvanized / Fe/Zn 8C Cr3-B | M Metrik / Metric |
| P Polipropilen / Polypropylene | 4 CrNi 304 AISI 304 | W Whitworth |
| | 6 CrNi 316 AISI 316 | |
| | 9 Çinko Nikel / Zinc Nickel Fe/ZnNi | |



Farklı malzeme talepleriniz için lütfen LMC Makina'ya danışınız.

For different material request please consult LMC Makina.

| C | 2 | P | 1 | Y | I | I | X | X | X | . | X |
|--|---------------------------------|---------------------------------|---------------|---|---|---|---|---|---|---|-----------|
| Gövde Malzemesi Clamp Body Material | Gövde Tipi Clamp Body Design | Gövde Renk Clamp Body Colour | Grup Group | | | | | | | | Ölçü Site |

| C | 2 | P | 1 | Y | I | I | X | X | X | . | X |
|--|---------------------------------|---------------------------------|---------------|---|---|---|---|---|---|---|-----------|
| Gövde Malzemesi Clamp Body Material | Gövde Tipi Clamp Body Design | Gövde Renk Clamp Body Colour | Grup Group | | | | | | | | Ölçü Site |

| Grup Group | Dış Çap (ØD) O.D. of Pipe / Tube / Hose mm | Anma Çapı (R) Boru Dış Nominal Bore Pipe inch | Dış Çap (ØD) O.D. of Pipe / Tube / Hose inch |
|---------------|--|---|--|
| I1 | 6 | | |
| | 6.4 | | 1/4 |
| | 8 | | 5/16 |
| | 9.5 | | 3/8 |
| | 10 | R 1/8 | |
| I2 | 12 | | |
| | 12.7 | | 1/2 |
| | 13.5 | R 1/4 | |
| | 14 | | |
| | 15 | | |
| I3 | 16 | | 5/8 |
| | 17.2 | R 3/8 | |
| | 18 | | |
| | 19 | | 3/4 |
| | 20 | | |
| I4 | 21.3 | R 1/2 | |
| | 22 | | 7/8 |
| | 23 | | |
| | 25 | | |
| | 25.4 | | 1 |
| I5 | 26.9 | R 3/4 | |
| | 28 | | |
| | 30 | | |
| I5 | 32 | | 1 1/4 |
| | 33.7 | R 1 | |
| | 35 | | |
| | 38 | | 1 1/2 |
| | 40 | | |
| 42 | R 1 1/4 | | |

| Ölçü Tablosu Dimension Table | | | | | Sipariş Kodu Order Code |
|---------------------------------|----|------|----|--------|----------------------------|
| L1 | L2 | H1 | H2 | S min. | |
| 36 | 20 | 13.5 | 27 | 0.6 | C2P1Y11006.0 |
| | | | | | C2P1Y11006.4 |
| | | | | | C2P1Y11008.0 |
| | | | | | C2P1Y11009.5 |
| | | | | | C2P1Y11010.0 |
| | | | | | C2P1Y11012.0 |
| 53 | 29 | 13.5 | 27 | 0.7 | C2P1Y12012.7 |
| | | | | | C2P1Y12013.5 |
| | | | | | C2P1Y12014.0 |
| | | | | | C2P1Y12015.0 |
| | | | | | C2P1Y12016.0 |
| | | | | | C2P1Y12017.2 |
| 67 | 36 | 18.5 | 37 | 0.7 | C2P1Y13019.0 |
| | | | | | C2P1Y13020.0 |
| | | | | | C2P1Y13021.3 |
| | | | | | C2P1Y13022.0 |
| | | | | | C2P1Y13023.0 |
| | | | | | C2P1Y13025.0 |
| 82 | 45 | 20.5 | 41 | 0.7 | C2P1Y14026.9 |
| | | | | | C2P1Y14028.0 |
| | | | | | C2P1Y14030.0 |
| 106 | 56 | 27 | 54 | 0.7 | C2P1Y15032.0 |
| | | | | | C2P1Y15033.7 |
| | | | | | C2P1Y15035.0 |
| | | | | | C2P1Y15038.0 |
| | | | | | C2P1Y15040.0 |
| C2P1Y15042.0 | | | | | |

| Ölçü Tablosu Dimension Table | | | | | Sipariş Kodu Order Code |
|---------------------------------|----|------|----|--------|----------------------------|
| L1 | L2 | H1 | H2 | S min. | |
| 36 | 20 | 13.5 | 27 | 0.6 | C2P1Y11006.0 |
| | | | | | C2P1Y11006.4 |
| | | | | | C2P1Y11008.0 |
| | | | | | C2P1Y11009.5 |
| | | | | | C2P1Y11010.0 |
| | | | | | C2P1Y11012.0 |
| 53 | 29 | 13.5 | 27 | 0.7 | C2P1Y12012.7 |
| | | | | | C2P1Y12013.5 |
| | | | | | C2P1Y12014.0 |
| | | | | | C2P1Y12015.0 |
| | | | | | C2P1Y12016.0 |
| | | | | | C2P1Y12017.2 |
| 67 | 36 | 18.5 | 37 | 0.7 | C2P1Y13019.0 |
| | | | | | C2P1Y13020.0 |
| | | | | | C2P1Y13021.3 |
| | | | | | C2P1Y13022.0 |
| | | | | | C2P1Y13023.0 |
| | | | | | C2P1Y13025.0 |
| 82 | 45 | 20.5 | 41 | 0.7 | C2P1Y14026.9 |
| | | | | | C2P1Y14028.0 |
| | | | | | C2P1Y14030.0 |
| 106 | 56 | 27 | 54 | 0.7 | C2P1Y15032.0 |
| | | | | | C2P1Y15033.7 |
| | | | | | C2P1Y15035.0 |
| | | | | | C2P1Y15038.0 |
| | | | | | C2P1Y15040.0 |
| C2P1Y15042.0 | | | | | |

* İstek üzerine, ikiz seri boru kelepçelerinin delikleri birbirinden farklı çaplarda da üretilebilmektedir.
* In twin series pipe clamps, the diameter of each pipe hole can be produced with different sizes upon request.



Note / Note:

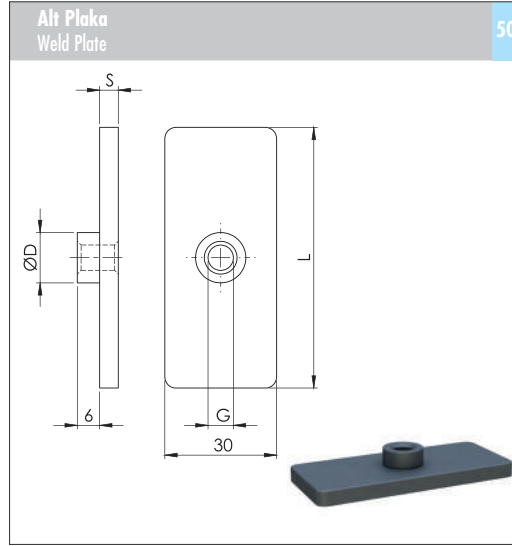
Düz ve tırtırlı kelepçelerimiz kademeli olarak "kilitlemeli kelepçe gövdesi" şeklinde üretilmeye başlanacak ve siparişleriniz kilitlemeli kelepçe gövdesi olarak gönderilecektir.

Smooth and serrated clamps will be started to be produced in the form of "anti-rotary clamp bodies" gradually and your orders will be sent as anti-rotary clamp bodies.

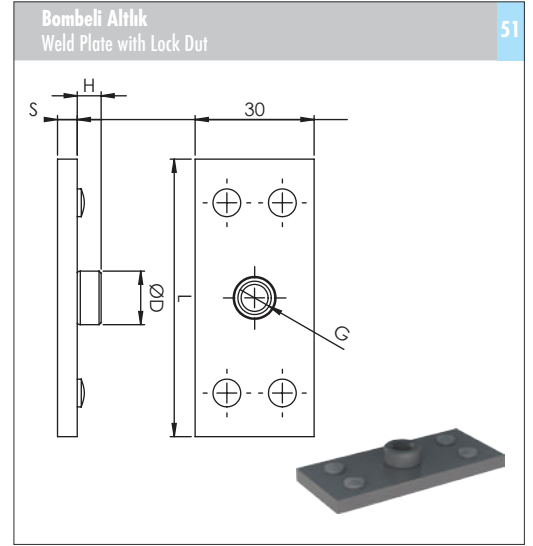
| Metal + Kaplama Tipi Metal + Surface Finishing | | Vida Tipi Thread Type | |
|---|--|--------------------------|--------------------|
| 0 | Kaplanmasız / Uncoated | C | UNC |
| 1 | Fosfat / Phosphated / Fe/Znph | F | UNF |
| 3 | Galvaniz / Galvanized / Fe/Zn 8C Cr3-B | M | Metrik / Metric |
| 4 | CrNi 304 AISI 304 | W | Whitworth |
| 6 | CrNi 316 AISI 316 | | |
| 9 | Çinko Nikel / Zinc Nickel Fe/ZnNi | | |

Farklı malzeme talepleriniz için lütfen LMC Makina'ya danışınız.

For different material request please consult LMC Makina.



| | | | | | | | |
|---|---|---|---|--------------------------|---|---|---------------|
| C | A | O | O | M | T | I | I |
| | | | | Vida Tipi Thread Type | Metal + Kaplama Tipi Metal + Surface Finishing | | Grup Group |



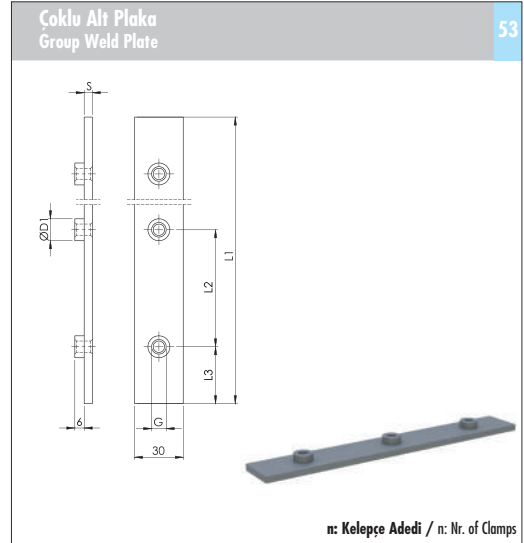
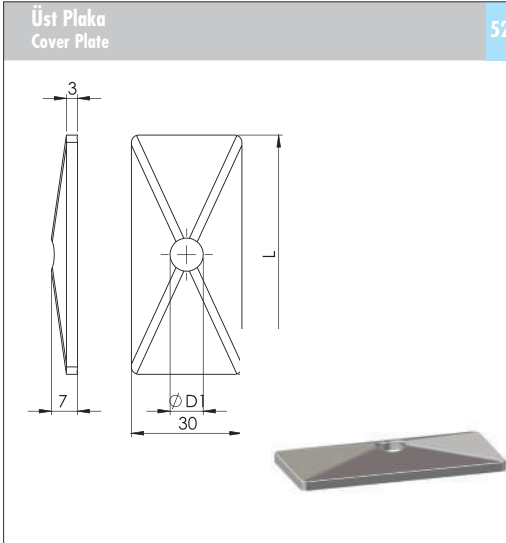
| | | | | | | | | |
|---|---|---|---|--------------------------|---|---|---------------|----|
| C | A | O | O | M | T | I | I | .B |
| | | | | Vida Tipi Thread Type | Metal + Kaplama Tipi Metal + Surface Finishing | | Grup Group | |

| Grup Group | Dış Çap (ØD) O.D. of Pipe / Tube/Hose mm | Anma Çapı (R) Boru Dış Nominal Bore Pipe inch | Dış Çap (ØD) O.D. of Pipe / Tube/Hose inch |
|---------------|---|---|---|
| I1 | 6 | | |
| | 6.4 | | 1/4 |
| | 8 | | 5/16 |
| | 9.5 | | 3/8 |
| | 10 | R 1/8 | |
| I2 | 12 | | |
| | 12.7 | | 1/2 |
| | 13.5 | R 1/4 | |
| | 14 | | |
| | 15 | | 5/8 |
| I3 | 16 | R 3/8 | |
| | 17.2 | | |
| | 18 | | 3/4 |
| | 19 | | |
| | 20 | R 1/2 | |
| I4 | 21.3 | | 7/8 |
| | 22 | | |
| | 23 | | 1 |
| | 25 | | |
| | 25.4 | R 3/4 | |
| I5 | 26.9 | | 1 1/4 |
| | 28 | R 1 | |
| | 30 | | 1 1/2 |
| | 32 | | |
| | 33.7 | R 1 1/4 | |

| Ölçü Tablosu Dimension Table | | | | Sipariş Kodu Order Code |
|---------------------------------|---|-----|-------------------|----------------------------|
| L | S | ØD1 | G | |
| 37 | 3 | 12 | M6 1/4-20 UNC | CA00M111 CA00C111 |
| 55 | 5 | 14 | M8 5/16-18 UNC | CA00M112 CA00C112 |
| 70 | 5 | 14 | M8 5/16-18 UNC | CA00M113 CA00C113 |
| 85 | 5 | 14 | M8 5/16-18 UNC | CA00M114 CA00C114 |
| 110 | 5 | 14 | M8 5/16-18 UNC | CA00M115 CA00C115 |

| Ölçü Tablosu Dimension Table | | | | Sipariş Kodu Order Code |
|---------------------------------|---|-----|-------------------|----------------------------|
| L | S | ØD1 | G | |
| 37 | 3 | 12 | M6 1/4-20 UNC | CA00M111.B CA00C111.B |
| 55 | 5 | 14 | M8 5/16-18 UNC | CA00M112.B CA00C112.B |
| 70 | 5 | 14 | M8 5/16-18 UNC | CA00M113.B CA00C113.B |
| 85 | 5 | 14 | M8 5/16-18 UNC | CA00M114.B CA00C114.B |
| 110 | 5 | 14 | M8 5/16-18 UNC | CA00M115.B CA00C115.B |

| Metal + Kaplama Tipi Metal + Surface Finishing | | Gövde Malzemesi Clamp Body Material | |
|---|--|--|---------------------------------|
| 0 | Kaplanmasız / Uncoated | A | Alüminyum / Aluminum |
| 1 | Fosfat / Phosphated / Fe/Znph | N | Polyamid / Polyamide |
| 3 | Galvaniz / Galvanized / Fe/Zn 8C Cr3-B | T | TPE |
| 4 | CrNi 304 AISI 304 | P | Polipropilen / Polypropylene |
| 6 | CrNi 316 AISI 316 | | |
| 9 | Çinko Nikel / Zinc Nickel Fe/ZnNi | | |



Farklı malzeme talepleriniz için lütfen LMC Makina'ya danışınız.

For different material request please consult LMC Makina.

| C | U | O | O | T | 3 | I | 1 |
|---|---|---|---|---|--|---|--------------------|
| | | | | | ▼ Metal + Kaplama Tipi Metal + Surface Finishing | | ▼ Grup Group |

| C | A | O | S | M | 1 | 1 | 1 |
|---|---|---|---|-------------------------------|--|---|--------------------|
| | | | | ▼ Vida Tipi Thread Type | ▼ Metal + Kaplama Tipi Metal + Surface Finishing | | ▼ Grup Group |

| Grup Group | Dış Çap (ØD) O.D. of Pipe / Tube/Hose mm | Anma Çapı (R) Boru Dış Nominal Bore Pipe inch | Dış Çap (ØD) O.D. of Pipe / Tube/Hose inch |
|---------------|---|---|---|
| I1 | 6 | | |
| | 6.4 | | 1/4 |
| | 8 | | 5/16 |
| | 9.5 | | 3/8 |
| | 10 | R 1/8 | |
| I2 | 12 | | |
| | 12.7 | | 1/2 |
| | 13.5 | R 1/4 | |
| | 14 | | |
| | 15 | | |
| I3 | 16 | | 5/8 |
| | 17.2 | R 3/8 | |
| | 18 | | |
| | 19 | | 3/4 |
| | 20 | | |
| I4 | 21.3 | R 1/2 | |
| | 22 | | 7/8 |
| | 23 | | |
| | 25 | | |
| | 25.4 | | 1 |
| I5 | 26.9 | R 3/4 | |
| | 28 | | |
| | 30 | | |
| I5 | 32 | | 1 1/4 |
| | 33.7 | R 1 | |
| | 35 | | |
| | 38 | | 1 1/2 |
| | 40 | | |
| 42 | R 1 1/4 | | |

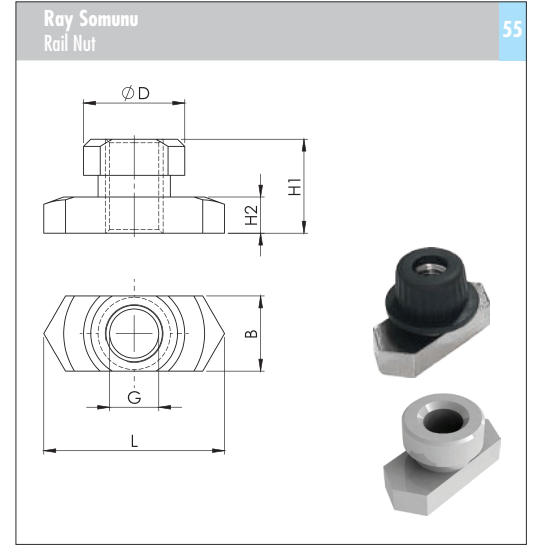
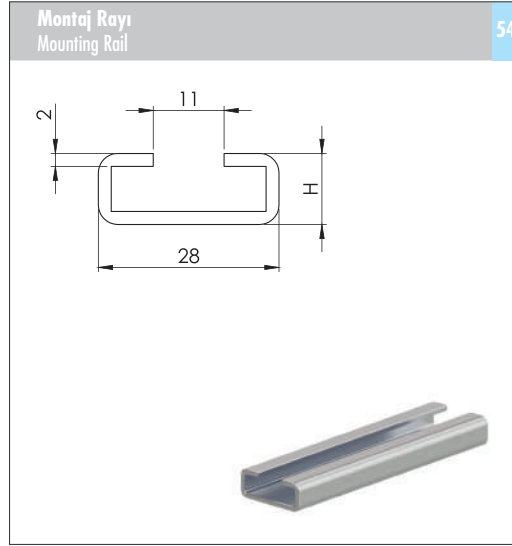
| Ölçü Tablosu Dimension Table | | Sipariş Kodu Order Code |
|---------------------------------|-----|----------------------------|
| L | ØD1 | |
| 34 | 7 | CU00T311 |
| 52 | 9 | CU00T312 |
| 65 | 9 | CU00T313 |
| 79 | 9 | CU00T314 |
| 102 | 9 | CU00T315 |

| Ölçü Tablosu Dimension Table | | | | | | | Sipariş Kodu Order Code |
|---------------------------------|-----|----|---|-----|-------------------|---|----------------------------|
| L1 | L2 | L3 | S | ØD1 | G | n | |
| 196 | 40 | 18 | 3 | 12 | M6 1/4-20 UNC | 5 | CA05M111 CA05C111 |
| 288 | 58 | 28 | 5 | 14 | M8 5/16-18 UNC | 5 | CA05M112 CA05C112 |
| 358 | 72 | 35 | 5 | 14 | M8 5/16-18 UNC | 5 | CA05M113 CA05C113 |
| 445 | 90 | 42 | 5 | 14 | M8 5/16-18 UNC | 5 | CA05M114 CA05C114 |
| 558 | 112 | 55 | 5 | 14 | M8 5/16-18 UNC | 5 | CA05M115 CA05C115 |

| Metal + Kaplama Tipi Metal + Surface Finishing | | Vida Tipi Thread Type | |
|---|--|--------------------------|--------------------|
| 0 | Kaplamasız / Uncoated | C | UNC |
| 3 | Galvaniz / Galvanized / Fe/Zn 8C Cr3-B | F | UNF |
| 4 | CrNi 304 AISI 304 | M | Metrik / Metric |
| 6 | CrNi 316 AISI 316 | W | Whitworth |
| 9 | Çinko Nikel / Zinc Nickel / Fe/ZnNi | | |

Farklı malzeme talepleriniz için lütfen LMC Makina'ya danışınız.

For different material request please consult LMC Makina.



| C | R | Y | 3 | 1 | 1 | 2 | 8 | 1 |
|---|---|---|--|---|---|-------------------|---|--------------------|
| | | | ▼ Metal + Kaplama Tipi Metal + Surface Finishing | | | ▼ Ölçü Size | | ▼ Boy Length |

| C | R | S | 1 | M | 3 | 0 | 8 |
|---|---|---|------------------|-------------------------------|--|---|---------------------------------------|
| | | | ▼ Tip Type | ▼ Vida Tipi Thread Type | ▼ Metal + Kaplama Tipi Metal + Surface Finishing | | ▼ Vida Ölçüsü Screw - Bolt Size |

| Grup Group | Dış Çap (ØD) O.D. of Pipe / Tube/Hose mm | Anma Çapı (R) Boru Dış Nominal Bore Pipe inch | Dış Çap (ØD) O.D. of Pipe / Tube/Hose inch |
|---------------|---|---|---|
| I1 | 6 | | |
| | 6.4 | | 1/4 |
| | 8 | | 5/16 |
| | 9.5 | | 3/8 |
| | 10 | R 1/8 | |
| I2 | 12 | | |
| | 12.7 | | 1/2 |
| | 13.5 | R 1/4 | |
| | 14 | | |
| | 15 | | |
| I3 | 16 | | 5/8 |
| | 17.2 | R 3/8 | |
| | 18 | | |
| | 19 | | 3/4 |
| | 20 | | |
| I4 | 21.3 | R 1/2 | |
| | 22 | | 7/8 |
| | 23 | | |
| | 25 | | |
| | 25.4 | | 1 |
| I5 | 26.9 | R 3/4 | |
| | 28 | | |
| | 30 | | |
| I5 | 32 | | 1 1/4 |
| | 33.7 | R 1 | |
| | 35 | | |
| | 38 | | 1 1/2 |
| | 40 | | |
| | 42 | R 1 1/4 | |

| Ölçü Tablosu Dimension Table | | Sipariş Kodu Order Code |
|---------------------------------|--------------|----------------------------|
| H | Boy / Length | |
| 11 | 1m | CRY311281 |
| 11 | 2m | CRY311282 |
| 14 | 1m | CRY314281 |
| 14 | 2m | CRY314282 |

| Ölçü Tablosu Dimension Table | | | | | | Sipariş Kodu Order Code |
|---------------------------------|------|----|----|-----|-------------------|----------------------------|
| L | B | H1 | H2 | ØD1 | G | |
| 25.4 | 10.4 | 13 | 5 | 12 | M6 1/4-20 UNC | CRS1M3006 CRS1C3008 |
| 25.4 | 10.4 | 13 | 5 | 14 | M8 5/16-18 UNC | CRS1M3008 CRS1C3010 |

| Metal + Kaplama Tipi Metal + Surface Finishing | | Vida Tipi Thread Type | |
|---|--|--------------------------|--------------------|
| 0 | Kaplanmaz / Uncoated | C | UNC |
| 3 | Galvaniz / Galvanized / Fe/Zn 8C Cr3-B | F | UNF |
| 4 | CrNi 304 AISI 304 | M | Metrik / Metric |
| 6 | CrNi 316 AISI 316 | W | Whitworth |
| 9 | Çinko Nikel / Zinc Nickel / Fe/ZnNi | | |

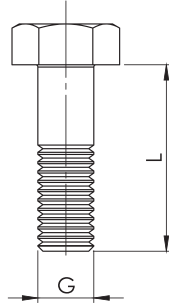
Farklı malzeme talepleriniz için lütfen LMC Makina'ya danışınız.

For different material request please consult LMC Makina.

Altıköşe Başlı Cıvata
Hexagon Head Bolt

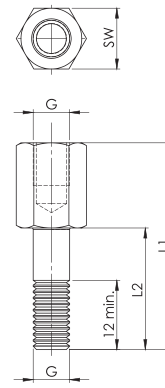
56

DIN 931 / 933 - ISO 4014



Ara Bağlantı Cıvatası
Stacking Bolt

57



| | | | | | | | | | | |
|---|---|---|---|---|---|---|---|----------------------------------|---|------------------------------------|
| C | C | A | M | 3 | 0 | 0 | 6 | 0 | 3 | 5 |
| | | | | Vida Tipi Thread Type | | | | Vida Ölçüsü Screw - Bolt Size | | Cıvata Boyu Screw - Bolt Length |
| | | | | Metal + Kaplama Tipi Metal + Surface Finishing | | | | | | |

| | | | | | | | | | | |
|---|---|---|---|---|---|---|---|----------------------------------|---|------------------------------------|
| C | C | B | M | 3 | 0 | 0 | 6 | 0 | 2 | 0 |
| | | | | Vida Tipi Thread Type | | | | Vida Ölçüsü Screw - Bolt Size | | Cıvata Boyu Screw - Bolt Length |
| | | | | Metal + Kaplama Tipi Metal + Surface Finishing | | | | | | |

| Grup Group | Dış Çap (ØD) O.D. of Pipe / Tube/Hose mm | Anma Çapı (R) Boru Dışı Nominal Bore Pipe inch | Dış Çap (ØD) O.D. of Pipe / Tube/Hose inch |
|---------------|---|--|---|
| I1 | 6 | | |
| | 6.4 | | 1/4 |
| | 8 | | 5/16 |
| | 9.5 | | 3/8 |
| | 10 | R 1/8 | |
| I2 | 12 | | |
| | 12.7 | | 1/2 |
| | 13.5 | R 1/4 | |
| | 14 | | |
| | 15 | | |
| I3 | 16 | | 5/8 |
| | 17.2 | R 3/8 | |
| | 18 | | |
| | 19 | | 3/4 |
| | 20 | | |
| I4 | 21.3 | R 1/2 | |
| | 22 | | 7/8 |
| | 23 | | |
| | 25 | | |
| | 25.4 | | 1 |
| I5 | 26.9 | R 3/4 | |
| | 28 | | |
| | 30 | | |
| I5 | 32 | | 1 1/4 |
| | 33.7 | R 1 | |
| | 35 | | |
| | 38 | | 1 1/2 |
| | 40 | | |
| 42 | R 1 1/4 | | |

| Ölçü Tablosu Dimension Table | Sipariş Kodu Order Code |
|---------------------------------|----------------------------|
| GxL | |
| M6x35 1/4-20 UNC x 1-3/8 | CCAM3006035 CCAC3008035 |
| M8x35 5/16-18 UNC x 1-3/8 | CCAM3008035 CCAC3010035 |
| M8x45 5/16-18 UNC x 1-3/4 | CCAM3008045 CCAC3010045 |
| M8x50 5/16-18 UNC x 2 | CCAM3008050 CCAC3010050 |
| M8x60 5/16-18 UNC x 2-1/2 | CCAM3008060 CCAC3010060 |

| Ölçü Tablosu Dimension Table | | | | Sipariş Kodu Order Code |
|---------------------------------|----|----|-------------------|----------------------------|
| L1 | L2 | SW | G | |
| 34 | 20 | 11 | M6 1/4-20 UNC | CCBM3006020 CCBC3008020 |
| 34 | 20 | 12 | M8 5/16-18 UNC | CCBM3008020 CCBC3010020 |
| 44 | 29 | 12 | M8 5/16-18 UNC | CCBM3008029 CCBC3010029 |
| 49 | 34 | 12 | M8 5/16-18 UNC | CCBM3008034 CCBC3010034 |
| 61 | 46 | 12 | M8 5/16-18 UNC | CCBM3008046 CCBC3010046 |

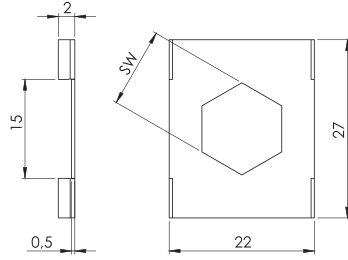
| Metal + Kaplama Tipi | |
|---------------------------|--|
| Metal + Surface Finishing | |
| 0 | Kaplamasız / Uncoated |
| 1 | Fosfat / Phosphated / Fe/Znph |
| 3 | Galvaniz / Galvanized / Fe/Zn 8C Cr3-B |
| 4 | CrNi 304 / AISI 304 |
| 6 | CrNi 316 / AISI 316 |
| 9 | Çinko Nikel / Zinc Nickel - Fe/ZnNi |

Farklı malzeme talepleriniz için lütfen LMC Makina'ya danışınız.

For different material request please consult LMC Makina.

Ara Bağlantı Plakası
Safety Locking Plate

58



| C | H | O | O | T | 3 | I | 1 |
|---|---|---|---|---|---|---|---|
| | | | | | | | |

Metal + Kaplama Tipi
Metal + Surface Finishing

Grup
Group

| Grup | Dış Çap (ØD) | Anma Çapı (R) Boru Dış | Dış Çap (ØD) |
|-------|-------------------------------|------------------------|---------------------------------|
| Group | O.D. of Pipe / Tube / Hose mm | Nominal Bore Pipe inch | O.D. of Pipe / Tube / Hose inch |
| I1 | 6 | | |
| | 6.4 | | 1/4 |
| | 8 | | 5/16 |
| | 9.5 | | 3/8 |
| | 10 | R 1/8 | |
| I2 | 12 | | |
| | 12.7 | | 1/2 |
| | 13.5 | R 1/4 | |
| | 14 | | |
| | 15 | | |
| I3 | 16 | | 5/8 |
| | 17.2 | R 3/8 | |
| | 18 | | |
| | 19 | | 3/4 |
| | 20 | | |
| I4 | 21.3 | R 1/2 | |
| | 22 | | 7/8 |
| | 23 | | |
| | 25 | | |
| | 25.4 | | 1 |
| I5 | 26.9 | R 3/4 | |
| | 28 | | |
| | 30 | | |
| I5 | 32 | | 1 1/4 |
| | 33.7 | R 1 | |
| | 35 | | |
| | 38 | | 1 1/2 |
| | 40 | | |
| | 42 | R 1 1/4 | |

| Ölçü Tablosu | Sipariş Kodu |
|-----------------|--------------|
| Dimension Table | Order Code |
| SW | |
| 11.1 | CH00T311 |
| 12.1 | |
| 12.1 | CH00T312 |
| 12.1 | |
| 12.1 | |

